



TERMIKA[®]
INSULATION TECHNIQUE



CATALOG OF PRODUCTS

ADDRESS Termika Sp. z o.o.
ul. Narwicka 8
PL 80-557 Gdańsk

CONTACT tel. +48 58 35 09 500
fax. +48 58 35 09 501
termika@termika.eu
www.termika.eu



TERMIKA[®]
INSULATION TECHNIQUE



For over 20 years we have been supplying complete insulation solutions for the industry and constantly developing in this field. We lead projects in Poland and other countries in Europe and in the world. We have completed over 6000 projects. Each of them made us more professional.

We are doing our best to keep the highest quality of our services. Due to this fact, in order to meet our customers' expectations, in 2012 we increased our quality certificates ISO 9001 with OHSAS 18001. We also have ISO 3834 certificate and PN-EN 1090 certificate.

We are a producer of Termika SD Studs, thermal mattresses and insulation fittings. Our constant cooperation with customers from various industries allows us to improve in these fields.

During the manufacturing process in Poland we use only carefully selected raw materials.

We have a modern machine park, a technical and design team, warehouse and transport fleet. This way we are able to fulfill customer's requirements regarding product quality and deliveries.

We also provide substantive support and professional advice regarding our products.



CONTENTS

| | |
|-----------------------|----|
| TAPES | 4 |
| FABRICS | 11 |
| INSULATION FASTENERS | 18 |
| INSULATION MATTRESSES | 27 |
| FASTENING TECHNIQUES | 32 |
| SD STUDS | 38 |
| CABLE TRAYS | 40 |
| OTHERS | 44 |

TAPE TERMIKA ALUFOIL 35000



Material: aluminium foil

Use: joining insulation materials and insulation coated aluminium. Tape Termika Alufoil 35000 provides unrivalled performance, maintaining insulation efficiency by protecting against the effects of fire, moisture and dust. The products are easy to apply, exhibiting instant adhesion and can be shaped to any profile. Product with MED certificate.

Availability: in stock

PRODUCT CHARACTERISTICS



| | |
|------------------------------------|---|
| Finish | aluminium foil |
| Thickness | 25µ |
| Adhesive | acrylic |
| Release paper | siliconised paper |
| Service temperature | from -10°C to +90°C |
| Application temperature | -5°C (minimum) |
| Ultimate tensile strength (around) | 70-90 N/mm ² |
| Elongation (around) | 8-11% |
| Shelf life/storage | at least 12 months from date of manufacture when stored in a dry place within the temperature range +10°C and +30°C |

NAME

Termika 35000 50mm x 45mb
 Termika 35000 75mm x 45mb
 Termika 35000 100mm x 45mb

INDEX

T-01-001
 T-01-002
 T-01-003

ADDITIONAL INFORMATION

Surfaces to be bonded must be clean, dry and free from dust, grease and loose materials. If necessary, wipe surfaces sparingly with a cloth dampened with a ketone-free cleaner and allow to dry for at least an hour before tape application.

The butt joints of insulation sections should be positioned together without gaps to ensure an adequate bond. Select a tape width suitable for the application. A width of 50mm is suitable for closely positioned, flat sections. Otherwise, select a tape the thickness of the insulation plus 50 mm to allow for the exposed cut edge.

REINFORCED ALUMINIUM TAPE



Material: Glass fibre, density 200 g/m²

Use: joining insulation materials either aluminium coated or not. Embedded glass fibber mesh increases the mechanical strength. The applied adhesive allows application in winter conditions.

Availability: in stock

PRODUCT CHARACTERISTICS

| | |
|------------------------------------|--|
| Finish | aluminium foil |
| Thickness | 0,09mm; PSTC-133/ASTM D 3652 |
| Adhesive | modified acrylic |
| Release paper | siliconised paper |
| Service temperature | from -35°C to +120°C |
| Application temperature | from -20°C to +40°C |
| Ultimate tensile strength (around) | 120N/25mm; PSTC-131/ASTM D 3759 |
| Elongation (around) | 3% |
| Peel adhesion to steel (around) | 12 N/25mm; PSTC-131/ASTM D 3759 |
| Fire resistance | class 0 compliance fire resistance Independently tested to BS 476 part 6 and Part 7 – Class 1 |
| Shelf life/storage | 6 month from date of manufacture when stored within the temperature range +20°C and +30°C and 50% RH |

NAME

Reinforced Alu Tape 50mm x 45mb
Reinforced Alu Tape 75mm x 45mb
Reinforced Alu Tape 100mm x 45mb

INDEX

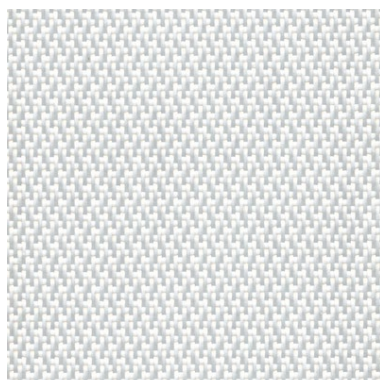
T-01-004
T-01-005
T-01-006

ADDITIONAL INFORMATION

Surfaces to be bonded must be clean, dry and free from dust, grease and loose materials. If necessary, wipe surfaces sparingly with a cloth dampened with a ketone-free cleaner and allow to dry for at least an hour before tape application.

The butt joints of insulation sections should be positioned together without gaps to ensure an adequate bond. Select a tape width suitable for the application. A width of 50mm is suitable for closely positioned, flat sections. Otherwise, select a tape the thickness of the insulation plus 50 mm to allow for the exposed cut edge.

TERMIKA GLASS CLOTH TAPE ST 1



Material: glass fibre

Use: joining insulation materials covered with glass cloth. The products are easy to apply, exhibiting instant adhesion and can be shaped to any profile. The product is MED certified.

Availability: in stock

PRODUCT CHARACTERISTICS



| | | |
|--------------------------------------|---|-------------------|
| Finish | glass fibre | |
| Thickness (EN ISO 5084) | 0,37 mm +/- 0,02 | |
| Resistance to temperature (fabric) | up to +450°C | |
| Application temperature | from +5°C to +30°C | |
| Glass tape weight | 420 g/m ² | |
| Acrylic adhesive weight | 100 g/m ² | |
| Thread count (DIN 53853) | warp | 19.0 Fd (yarn)/cm |
| | weft | 11.0 Fd (yarn)/cm |
| Tensile strenght (EN ISO 13934.1) | warp | 5310 N/5 cm |
| | weft | 2696 N/5 cm |
| Shelf life/storage | in temperature range from +10°C to +35°C and relative humidity 40% do 70% | |

NAME

WIDTH

LENGHT

INDEX

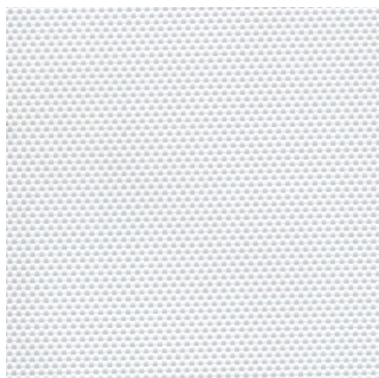
| | | |
|--|--------|------|
| Termika glass cloth tape ST 1 - 30 mm | 30 mm | 33 m |
| Termika glass cloth tape ST 1 - 50 mm | 50 mm | 33 m |
| Termika glass cloth tape ST 1 - 75 mm | 75 mm | 33 m |
| Termika glass cloth tape ST 1 - 100 mm | 100 mm | 33 m |

| |
|---------|
| T-01-25 |
| T-01-26 |
| T-01-27 |
| T-01-28 |

ADDITIONAL INFORMATION

Surfaces to be bonded must be clean, dry and free from dust, grease and loose materials. If necessary, wipe surfaces sparingly with a cloth dampened with a ketone - free cleaner and allow to dry for at least an hour before tape application.

TERMIKA GLASS CLOTH TAPE ST 55



Material: glass fibre

Use: joining insulation materials covered with glass cloth. The products are easy to apply, exhibiting instant adhesion and can be shaped to any profile. The product is MED certified.

Availability: in stock

PRODUCT CHARACTERISTICS



| | | |
|--------------------------------------|--|-------------------|
| Finish | glass fibre | |
| Thickness (EN ISO 5084) | 0,20 mm +/- 0,02 | |
| Resistance to temperature (fabric) | up to +450°C | |
| Application temperature | from +5°C to +30°C | |
| Glass tape weight | 200 g/m ² | |
| Acrylic adhesive weight | 100 g/m ² | |
| Thread count (DIN 53853) | warp | 17.0 Fd (yarn)/cm |
| | weft | 12.0 Fd (yarn)/cm |
| Tensile strenght (EN ISO 13934.1) | warp | 4395 N/5 cm |
| | weft | 3171 N/5 cm |
| Shelf life/storage | in temperature range from +10°C to +35°C and relative humidity 40% do 70% | |

NAME

WIDTH

LENGHT

INDEX

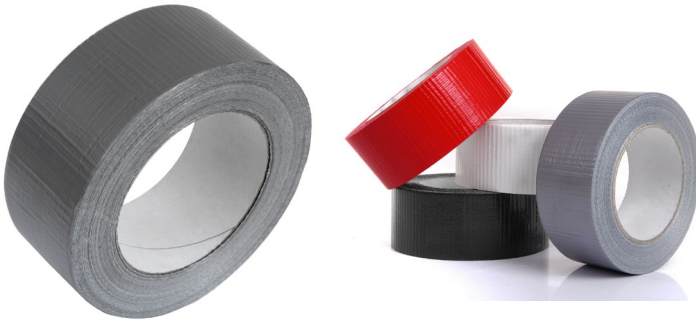
| | | |
|---|--------|------|
| Termika glass cloth tape ST 55 - 30 mm | 30 mm | 33 m |
| Termika glass cloth tape ST 55 - 50 mm | 50 mm | 33 m |
| Termika glass cloth tape ST 55 - 75 mm | 75 mm | 33 m |
| Termika glass cloth tape ST 55 - 100 mm | 100 mm | 33 m |

| |
|---------|
| T-01-21 |
| T-01-22 |
| T-01-23 |
| T-01-24 |

ADDITIONAL INFORMATION

Surfaces to be bonded must be clean, dry and free from dust, grease and loose materials. If necessary, wipe surfaces sparingly with a cloth dampened with a ketone - free cleaner and allow to dry for at least an hour before tape application.

DUCT TAPE



Material: fabric coated PE

Use: mounting and packaging, assembly and repair, electrical insulation and protection. The tape with the resistance to moisture and easy apply to the surface.

Availability: in stock

PRODUCT CHARACTERISTICS

| | |
|---------------------------|---|
| Finish | fabric coated PE |
| Colour | grey, black, white |
| Thickness | 0,14 mm |
| Adhesive | adhesive (PSA) |
| Release paper | none |
| Service temperature | from -10°C to +75°C |
| Application temperature | from +5°C to +30°C |
| Ultimate tensile strength | 35 N/cm |
| Peel adhesion to steel | 4 N/cm; IEC 454-2 |
| Shelf life/storage | 6 months from the date of manufacture when stored within the temperature range +20°C and +30°C and 50% RH |

NAME

Duct tape 50mm x 50mb

INDEX

T-01-015

ADDITIONAL INFORMATION

Surfaces to be bonded must be clean, dry and free from dust, grease and loose materials. If necessary, wipe surfaces sparingly with a cloth dampened with a ketone-free cleaner and allow to dry for at least an hour before tape application.

RUBBER TAPE



Material: rubber foam

Use: adhesive tape used for assembly join in insulation made of synthetic rubber. The rubber tape is an insulation, sealing, suppressed and damping material. Prevents water vapor condensation and reduces energy losses.

Availability: in stock

PRODUCT CHARACTERISTICS

| | |
|--|---|
| Finish | rubber foam |
| Thickness | 3 mm |
| Adhesive | modified acrylic |
| Release paper | siliconised paper |
| Service temperature | from -20°C to +85°C |
| Peel adhesion | 22 N/25mm; AFERA 4001 |
| Coefficient of resistance to water vapor diffusion | ≥ 7000 ; EN13469, EN12086 |
| Coefficient of thermal conductivity | $\leq 0,035$ W/(m K) in average temp. 0°C |
| Coefficient of thermal conductivity | $\leq 0,039$ W/(m K) in average temp. 40°C |
| Reaction to fire | no spread of fire |
| Shelf life/storage | 12 month from date of manufacture when stored within the temperature range 0°C and +35°C and from 50% to 70% RH |

NAME

Rubber tape 50mm x 15mb

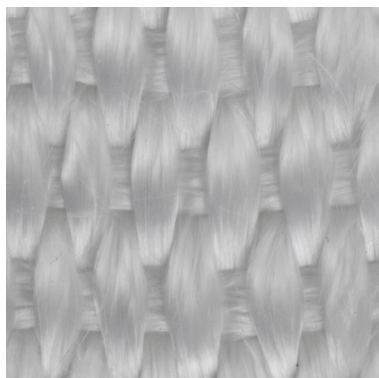
INDEX

T-01-016

ADDITIONAL INFORMATION

Surfaces to be bonded must be clean, dry and free from dust, grease and loose materials. If necessary, wipe surfaces sparingly with a cloth dampened with a ketone-free cleaner and allow to dry for at least an hour before tape application.

CERAMIC TAPE (ADHESIVE)



Material: glass fibre

Use: thermal insulation high temperature installation, steam installation, hoses, cables, pipe connections, insulation of components exposed to high temperature. Tape made of non-combustible textile materials resistant on oils, fats, solvents, organic and non-organic acid. Constant running ability of temp. 550°C.

Availability: in stock

PRODUCT CHARACTERISTICS

| | |
|----------------------------------|--|
| Finish | glass fibre |
| Thickness | 3 mm |
| Classification temperature | 550°C |
| Softening temperature | 840°C |
| Ultimate tensile strength | 2400 N/mm ² |
| Modulus of elasticity | 73 GPa |
| Elongation | 3,3% |
| Coefficient of thermal expansion | $5 \times 10^{-6} \text{K}^{-1}$ |
| Thermal conductivity | 0,04-0,06 W/mK |
| Dielectric constant | 6,1-6,7 ϵ |
| Fire resistance | non flammable |
| Shelf life/storage | 12 month from date of manufacture when stored within the dry place with the temperature range +10°C and +30° |

NAME

Ceramic tape 30mm x 50mb

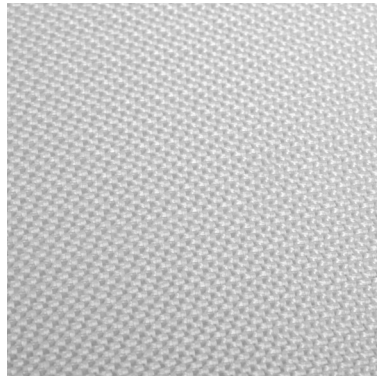
INDEX

T-01-017

ADDITIONAL INFORMATION

Surfaces to be bonded must be clean, dry and free from dust, grease and loose materials. If necessary, wipe surfaces sparingly with a cloth dampened with a ketone-free cleaner and allow to dry for at least an hour before tape application.

TERMIKA GLASS FABRIC ST1/T



Material: glass fibre

Use: thermal and electrical insulation material, non-combustible, chemically neutral, absorbing water in minimum quantities and practically not subject to corrosion of water. It is resistant to mould, rotting and breakdown strength. It is certified by DNV. It is characterised of resistance on occurrence the high temperatures up to 450°C.

Availability: in stock

PRODUCT CHARACTERISTICS



| | |
|---------------------------|---|
| Finish | glass fibre |
| Thickness | 0,37 mm +/-0,02 |
| Weight | 420 g/m ² +/-20 |
| Width | 100 cm +/-2 |
| Resistance to temperature | to +450°C |
| Tensile strength warp | 5500 N/5 cm |
| Type of treatment | raw |
| Fire resistance | non flammable |
| Shelf life/storage | Within the temperature range +10°C and +35°C and from 40% to 70% RH |

NAME

Glass fibre fabric ST1/T

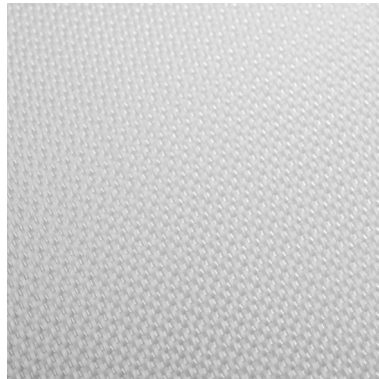
INDEX

T-02-420

ADDITIONAL INFORMATION

The standard width of the fabric is 1m. Current information on other roll widths is available on request.

TERMIKA GLASS FABRIC ST1 / T ALU



Material: glass fibre, aluminium coated

Use: thermal and electrical insulation material, non flammable, chemically neutral, hardly absorbing water and water corrosion resistant. It is resistant to mould, rotting and breakdown strength. It is characterised by high temperature resistance up to 450°C.

Availability: in stock

PRODUCT CHARACTERISTICS

| | |
|---------------------------|---|
| Finish | glass fibre |
| Thickness | 0,37 mm +/-0,02 |
| Weight | 420 g/m2 +/-8 |
| Width | 100 cm +/-2 |
| Resistance to temperature | to +450°C |
| Tensile strength warp | 5500 N/5 cm |
| Type of treatment | raw |
| Coating | aluminium |
| Fire resistance | non flammable |
| Shelf life/storage | within the temperature range +10°C and +35°C and from 40% to 70% RH |

NAME

Glass fibre fabric ST1/T ALU

INDEX

T-02-420A

ADDITIONAL INFORMATION The standard width of the fabric is 1m. Current information on other roll widths is available on request.

TERMIKA GLASS FABRIC ST 55 / T



Material: glass fibre

Use: thermal and electrical insulation material, non flammable, chemically neutral, hardly absorbing water and water corrosion resistant. It is resistant to mould, rotting and breakdown strength. It is certified by DNV. It is characterised by high temperature resistance up to 450°C.

Availability: in stock

PRODUCT CHARACTERISTICS



| | |
|---------------------------|---|
| Finish | glass fibre |
| Thickness | 0,20 mm +/-0,02 |
| Weight | 200 g/m ² +/-8 |
| Width | 100 cm +/-2 |
| Resistance to temperature | to +450°C |
| Tensile strength warp | 3000 N/5 cm |
| Type of treatment | raw |
| Fire resistance | non flammable |
| Shelf life/storage | within the temperature range +10°C and +35°C and from 40% to 70% RH |

NAME

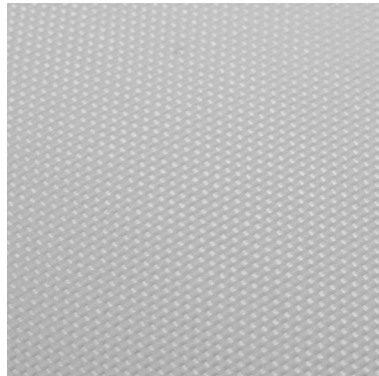
Glass fibre fabric ST55/T

INDEX

T-02-200

ADDITIONAL INFORMATION The standard width of the fabric is 1m. Current information on other roll widths is available on request.

TERMIKA GLASS FABRIC ST 55 / T ALU



Material: glass fibre, aluminium coated

Use: thermal and electrical insulation material, non flammable, chemically neutral, hardly absorbing water and water corrosion resistant. It is resistant to mould, rotting and breakdown strength. It is characterised by high temperature resistance up to 450°C.

Availability: in stock

PRODUCT CHARACTERISTICS

| | |
|---------------------------|---|
| Finish | glass fibre |
| Thickness | 0,20 mm +/-0,02 |
| Weight | 200 g/m ² +/-8 |
| Width | 100 cm +/-2 |
| Resistance to temperature | to +450°C |
| Tensile strength warp | 3000 N/5 cm |
| Type of treatment | raw |
| Coating | aluminium |
| Fire resistance | non flammable |
| Shelf life/storage | within the temperature range +10°C and +35°C and from 40% to 70% RH |

NAME

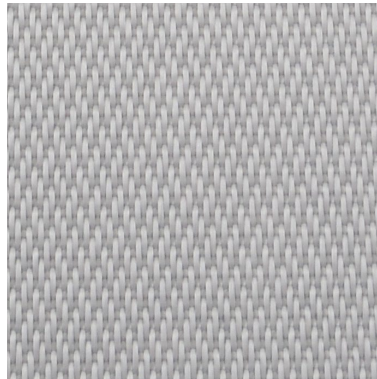
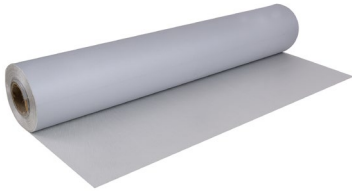
Glass fibre fabric ST55/T ALU

INDEX

T-02-200A

ADDITIONAL INFORMATION The standard width of the fabric is 1m. Current information on other roll widths is available on request.

GLASS FABRIC SILICONED (1 SIDE)



Material: glass fibre, one-sided silicone coating (1 side silicone coated glass fabric)

Use: resistant on oils, fats, solvents, organic and non-organic acid. The high immunity on mechanical, thermo and electrical failures, UV, water resistant. Characterised by good electric insulation properties.

Availability: in stock

PRODUCT CHARACTERISTICS

| | |
|-----------------------|---|
| Finish | glass fibre |
| Thickness | 0,5 mm |
| Weight | 430 g/m ² |
| Width | 100 cm |
| Service temperature | from -50°C to +250°C |
| Tensile strength warp | 3800 N/50 mm |
| Coating | silicone |
| Fire resistance | non flammable |
| Shelf life/storage | within the temperature range +10°C and +35°C and from 40% to 70% RH |

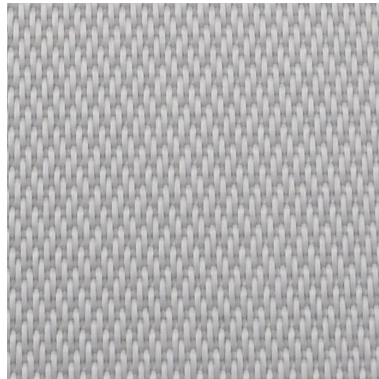
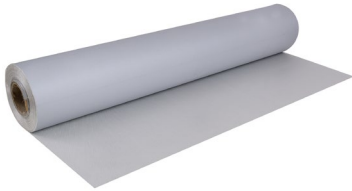
NAME

Silicone fabric on one side with glass fibre

INDEX

T-02-430S1

GLASS FABRIC SILICONED (2 SIDES)



Material: glass fibre, double-sided silicone coating

Use: resistant on oils, fats, solvents, organic and non-organic acid. The high immunity on mechanical, thermo and electrical failures, UV, water resistant. Characterised by good electrical insulation properties.

Availability: in stock

PRODUCT CHARACTERISTICS

| | |
|---------------------------|---|
| Finish | glass fibre |
| Thickness | 0,5 mm |
| Weight | 430 g/m ² |
| Width | 100 cm |
| Resistance to temperature | from -50°C to +250°C |
| Tensile strength warp | 3800 N/50 mm |
| Coating | silicone |
| Fire resistance | non flammable |
| Shelf life/storage | within the temperature range +10°C and +35°C and from 40% to 70% RH |

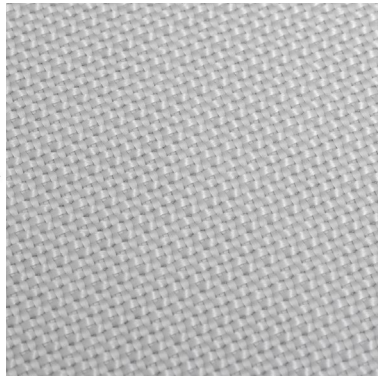
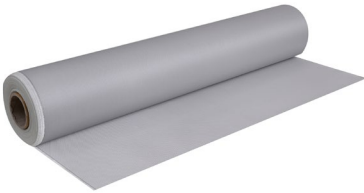
NAME

Silicone fabric on two sides with glass fibre

INDEX

T-02-430S2

GLASS FABRIC PASTED



Material: glass fibre

Use: material with excellent insulating properties, characterised by resistant for wear and tear.

Availability: in stock

PRODUCT CHARACTERISTICS

| | |
|-----------------------|---|
| Finish | glass fibre |
| Thickness | 0,18 mm |
| Weight | 220 g/m ² +/- 5% |
| Width | 100 cm |
| Service temperature | 300-400°C |
| Tensile strength warp | 470 N/cm |
| Coating | pasted 20g/m ² |
| Fire resistance | non flammable |
| Shelf life/storage | within the temperature range +10°C and +35°C and from 40% to 70% RH |

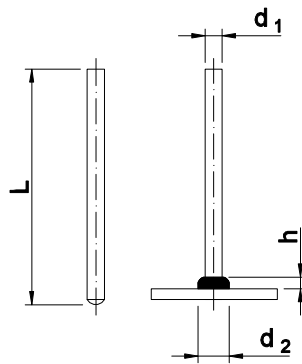
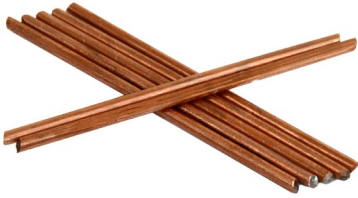
NAME

Glass fibre fabric pasted

INDEX

T-02-220P

INSULATION PIN



Material: copper covered steel, stainless steel 1.4301

Use: assembling the insulation in the marine and land industry. Insulation pins are made of heat-sealable wire in diameters range $\varnothing 2\text{mm}$ to $\varnothing 5\text{mm}$

Availability:
on request

Logistic minimum:

25mm – 50mm – 2000 pcs/package
60mm – 150mm – 1000 pcs/package
from 160mm – 500 pcs/package

MATERIAL: COPPER COVERED STEEL

| d_1 | L | $d_2 \approx$ | $h \approx$ | Weight (kg/100) | Index |
|-------|-----|---------------|-------------|-----------------|-------------|
| 2 | 25 | 6,0 | 3,5 | 0,062 | T-03-012025 |
| 2 | 30 | 6,0 | 3,5 | 0,075 | T-03-012030 |
| 2 | 40 | 6,0 | 3,5 | 0,100 | T-03-012040 |
| 2 | 50 | 6,0 | 3,5 | 0,125 | T-03-012050 |
| 2 | 60 | 6,0 | 3,5 | 0,150 | T-03-012060 |
| 2 | 65 | 6,0 | 3,5 | 0,162 | T-03-012065 |
| 2 | 70 | 6,0 | 3,5 | 0,175 | T-03-012070 |
| 2 | 80 | 6,0 | 3,5 | 0,200 | T-03-012080 |
| 2 | 85 | 6,0 | 3,5 | 0,213 | T-03-012085 |
| 2 | 90 | 6,0 | 3,5 | 0,225 | T-03-012090 |
| 2 | 100 | 6,0 | 3,5 | 0,250 | T-03-012100 |
| 2 | 110 | 6,0 | 3,5 | 0,275 | T-03-012110 |
| 2 | 120 | 6,0 | 3,5 | 0,300 | T-03-012120 |
| 2 | 130 | 6,0 | 3,5 | 0,325 | T-03-012130 |
| 2 | 140 | 6,0 | 3,5 | 0,350 | T-03-012140 |
| 2 | 160 | 6,0 | 3,5 | 0,401 | T-03-012160 |
| 2 | 200 | 6,0 | 3,5 | 0,501 | T-03-012200 |
| 3 | 25 | 6,0 | 3,5 | 0,148 | T-03-013025 |
| 3 | 30 | 6,0 | 3,5 | 0,174 | T-03-013030 |
| 3 | 40 | 6,0 | 3,5 | 0,234 | T-03-013040 |
| 3 | 50 | 6,0 | 3,5 | 0,286 | T-03-013050 |
| 3 | 60 | 6,0 | 3,5 | 0,340 | T-03-013060 |
| 3 | 65 | 6,0 | 3,5 | 0,366 | T-03-013065 |
| 3 | 70 | 6,0 | 3,5 | 0,398 | T-03-013070 |
| 3 | 80 | 6,0 | 3,5 | 0,454 | T-03-013080 |
| 3 | 85 | 6,0 | 3,5 | 0,480 | T-03-013085 |
| 3 | 90 | 6,0 | 3,5 | 0,506 | T-03-013090 |
| 3 | 100 | 6,0 | 3,5 | 0,564 | T-03-013100 |
| 3 | 110 | 6,0 | 3,5 | 0,620 | T-03-013110 |
| 3 | 120 | 6,0 | 3,5 | 0,673 | T-03-013120 |
| 3 | 130 | 6,0 | 3,5 | 0,735 | T-03-013130 |
| 3 | 140 | 6,0 | 3,5 | 0,784 | T-03-013140 |
| 3 | 160 | 6,0 | 3,5 | 0,892 | T-03-013160 |
| 3 | 200 | 6,0 | 3,5 | 1,108 | T-03-013200 |

| d_1 | L | $d_2 \approx$ | $h \approx$ | Weight (kg/100) | Index |
|-------|-----|---------------|-------------|-----------------|-------------|
| 4 | 25 | 6,0 | 3,5 | 0,265 | T-03-014025 |
| 4 | 30 | 6,0 | 3,5 | 0,318 | T-03-014030 |
| 4 | 40 | 6,0 | 3,5 | 0,424 | T-03-014040 |
| 4 | 50 | 6,0 | 3,5 | 0,480 | T-03-014050 |
| 4 | 60 | 6,0 | 3,5 | 0,664 | T-03-014060 |
| 4 | 65 | 6,0 | 3,5 | 0,697 | T-03-014065 |
| 4 | 70 | 6,0 | 3,5 | 0,730 | T-03-014070 |
| 4 | 80 | 6,0 | 3,5 | 0,760 | T-03-014080 |
| 4 | 85 | 6,0 | 3,5 | 0,901 | T-03-014085 |
| 4 | 90 | 6,0 | 3,5 | 0,954 | T-03-014090 |
| 4 | 100 | 6,0 | 3,5 | 0,980 | T-03-014100 |
| 4 | 110 | 6,0 | 3,5 | 1,125 | T-03-014110 |
| 4 | 120 | 6,0 | 3,5 | 1,270 | T-03-014120 |
| 4 | 130 | 6,0 | 3,5 | 1,395 | T-03-014130 |
| 4 | 140 | 6,0 | 3,5 | 1,411 | T-03-014140 |
| 4 | 160 | 6,0 | 3,5 | 1,705 | T-03-014160 |
| 4 | 200 | 6,0 | 3,5 | 2,020 | T-03-014200 |
| 5 | 25 | 6,0 | 3,5 | | T-03-015025 |
| 5 | 30 | 6,0 | 3,5 | | T-03-015030 |
| 5 | 40 | 6,0 | 3,5 | | T-03-015040 |
| 5 | 50 | 6,0 | 3,5 | | T-03-015050 |
| 5 | 60 | 6,0 | 3,5 | | T-03-015060 |
| 5 | 70 | 6,0 | 3,5 | | T-03-015070 |
| 5 | 80 | 6,0 | 3,5 | | T-03-015080 |
| 5 | 90 | 6,0 | 3,5 | | T-03-015090 |
| 5 | 100 | 6,0 | 3,5 | | T-03-015100 |
| 5 | 110 | 6,0 | 3,5 | | T-03-015110 |
| 5 | 120 | 6,0 | 3,5 | | T-03-015120 |
| 5 | 130 | 6,0 | 3,5 | | T-03-015130 |
| 5 | 140 | 6,0 | 3,5 | | T-03-015140 |
| 5 | 150 | 6,0 | 3,5 | | T-03-015150 |
| 5 | 160 | 6,0 | 3,5 | | T-03-015160 |
| 5 | 200 | 6,0 | 3,5 | | T-03-015200 |

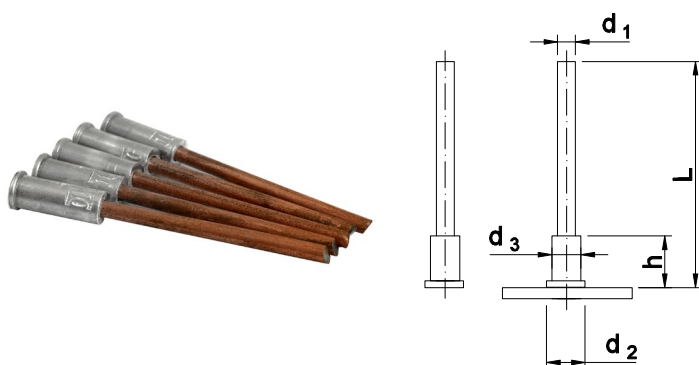
MATERIAL: STAINLESS STEEL 1.4301

| d_1 | L | $d_2 \approx$ | $h \approx$ | Weight (kg/100) | Index |
|-------|-----|---------------|-------------|-----------------|-------------|
| 3 | 25 | 6,0 | 3,5 | 0,148 | T-03-023025 |
| 3 | 30 | 6,0 | 3,5 | 0,174 | T-03-023030 |
| 3 | 40 | 6,0 | 3,5 | 0,234 | T-03-023040 |
| 3 | 50 | 6,0 | 3,5 | 0,286 | T-03-023050 |
| 3 | 60 | 6,0 | 3,5 | 0,340 | T-03-023060 |
| 3 | 70 | 6,0 | 3,5 | 0,398 | T-03-023070 |
| 3 | 80 | 6,0 | 3,5 | 0,454 | T-03-023080 |
| 3 | 90 | 6,0 | 3,5 | 0,506 | T-03-023090 |
| 3 | 100 | 6,0 | 3,5 | 0,564 | T-03-023100 |
| 3 | 110 | 6,0 | 3,5 | 0,620 | T-03-023110 |
| 3 | 120 | 6,0 | 3,5 | 0,610 | T-03-023120 |
| 3 | 130 | 6,0 | 3,5 | 0,735 | T-03-023130 |
| 3 | 140 | 6,0 | 3,5 | 0,784 | T-03-023140 |
| 3 | 150 | 6,0 | 3,5 | 0,840 | T-03-023150 |
| 3 | 160 | 6,0 | 3,5 | 0,892 | T-03-023160 |
| 3 | 200 | 6,0 | 3,5 | 1,108 | T-03-023200 |

ADDITIONAL INFORMATION

Other dimensions and materials are available on request, eg. stainless steel 1.4571, IS 4 and IS 5 in material 1.4031.

BIMETAL PIN VBS (ALUMINIUM AREA)



Material: copper covered steel, stainless steel 1.4301 (aluminium ending)

Use: assembling the insulation on aluminium surfaces in the marine and land industry. Bimetal pins are made of heat-sealable wire in diameter $\varnothing 3\text{mm}$.

Availability: on request

Logistic minimum:

25mm – 40mm – 2000 pcs./package

50mm – 100mm – 1000 pcs./package

from 110mm – 500 pcs./package

MATERIAL: COPPER COVERED STEEL

| d_1 | L | $d_2 \approx$ | $h \approx$ | d_3 | Weight (kg/100) | Index |
|-------|-----|---------------|-------------|-------|-----------------|-------------|
| 3 | 25 | 7,8 | 16 | 6 | 0,148 | T-03-113025 |
| 3 | 30 | 7,8 | 16 | 6 | 0,174 | T-03-113030 |
| 3 | 40 | 7,8 | 16 | 6 | 0,234 | T-03-113040 |
| 3 | 50 | 7,8 | 16 | 6 | 0,286 | T-03-113050 |
| 3 | 60 | 7,8 | 16 | 6 | 0,340 | T-03-113060 |
| 3 | 65 | 7,8 | 16 | 6 | 0,366 | T-03-113065 |
| 3 | 70 | 7,8 | 16 | 6 | 0,398 | T-03-113070 |
| 3 | 80 | 7,8 | 16 | 6 | 0,454 | T-03-113080 |
| 3 | 85 | 7,8 | 16 | 6 | 0,480 | T-03-113085 |
| 3 | 90 | 7,8 | 16 | 6 | 0,506 | T-03-113090 |
| 3 | 100 | 7,8 | 16 | 6 | 0,564 | T-03-113100 |
| 3 | 110 | 7,8 | 16 | 6 | 0,620 | T-03-113110 |
| 3 | 120 | 7,8 | 16 | 6 | 0,673 | T-03-113120 |
| 3 | 130 | 7,8 | 16 | 6 | 0,735 | T-03-113130 |
| 3 | 140 | 7,8 | 16 | 6 | 0,784 | T-03-113140 |
| 3 | 160 | 7,8 | 16 | 6 | 0,892 | T-03-113160 |
| 3 | 200 | 7,8 | 16 | 6 | 1,108 | T-03-113200 |

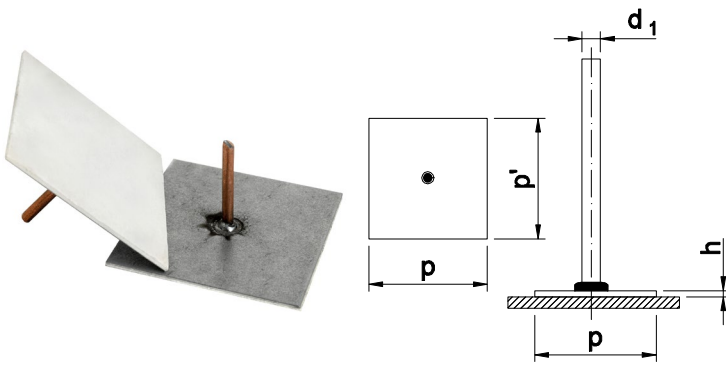
MATERIAL: STAINLESS STEEL 1.4301

| d_1 | L | $d_2 \approx$ | $h \approx$ | d_3 | Weight (kg/100) | Index |
|-------|-----|---------------|-------------|-------|-----------------|-------------|
| 3 | 25 | 7,8 | 16 | 6 | 0,148 | T-03-123025 |
| 3 | 30 | 7,8 | 16 | 6 | 0,174 | T-03-123030 |
| 3 | 40 | 7,8 | 16 | 6 | 0,234 | T-03-123040 |
| 3 | 50 | 7,8 | 16 | 6 | 0,286 | T-03-123050 |
| 3 | 60 | 7,8 | 16 | 6 | 0,340 | T-03-123060 |
| 3 | 70 | 7,8 | 16 | 6 | 0,398 | T-03-123070 |
| 3 | 80 | 7,8 | 16 | 6 | 0,454 | T-03-123080 |
| 3 | 90 | 7,8 | 16 | 6 | 0,506 | T-03-123090 |
| 3 | 100 | 7,8 | 16 | 6 | 0,564 | T-03-123100 |
| 3 | 110 | 7,8 | 16 | 6 | 0,620 | T-03-123110 |
| 3 | 120 | 7,8 | 16 | 6 | 0,610 | T-03-123120 |
| 3 | 130 | 7,8 | 16 | 6 | 0,735 | T-03-123130 |
| 3 | 140 | 7,8 | 16 | 6 | 0,784 | T-03-123140 |
| 3 | 150 | 7,8 | 16 | 6 | 0,840 | T-03-123150 |
| 3 | 160 | 7,8 | 16 | 6 | 0,892 | T-03-123160 |
| 3 | 200 | 7,8 | 16 | 6 | 1,108 | T-03-123200 |

ADDITIONAL INFORMATION

Other dimensions available on request.

PIN WITH SELF-ADHESIVE HOLDER



Material: copper covered steel, stainless steel 1.4301, holder stainless steel or galvanized

Use: assembling the insulation on surfaces where it is impossible to heat seal the pins (eg. too thin metal plates) . Insulation pins are made of heat-sealable wire in diameters range $\varnothing 2\text{mm}$ to $\varnothing 5\text{mm}$. Holder sizes 5x5cm, self-adhesive.

Availability: on request

Logistic minimum:

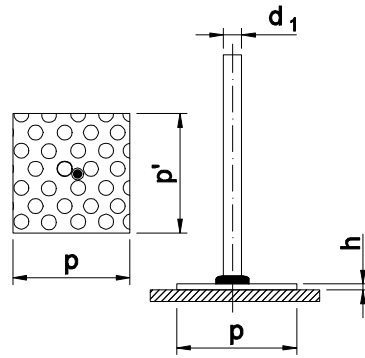
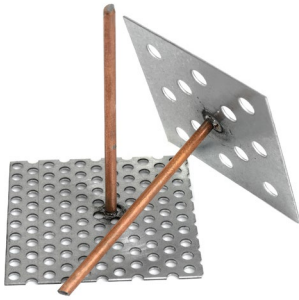
25mm – 100mm – 1000 pcs/package
from 110mm – 500 pcs/package

| Name | d_1 | p | p' | h |
|---|--------------------------|----|----|-----|
| Pin with self-adhesive stainless steel holder | $\varnothing 2; 3; 4; 5$ | 50 | 50 | 0,5 |
| Pin with self-adhesive galvanized holder | $\varnothing 2; 3; 4; 5$ | 50 | 50 | 0,7 |

ADDITIONAL INFORMATION

Available dimensions pins according to the dimensions of the heat-sealable insulating pins.

PIN WITH PERFORATED HOLDER



Material: copper covered steel, stainless steel 1.4301, holder galvanized

Use: assembling the insulation on surfaces where it is impossible to heat seal the pins (eg. too thin metal plates). Insulation pins are made of heat-sealable wire in diameters range $\varnothing 2\text{mm}$ to $\varnothing 5\text{mm}$. Holder sizes 5x5cm, assembled using a glue type Sikaflex.

Availability: on request

Logistic minimum:

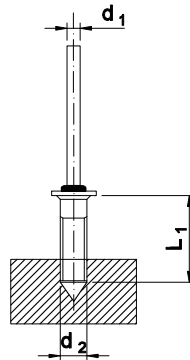
25mm – 100mm – 1000 pcs/package

from 110mm – 500 pcs/package

| Name | d_1 | p | p' | h |
|---------------------------------------|--------------------------|-----|------|-----|
| Pin with perforated galvanized holder | $\varnothing 2; 3; 4; 5$ | 50 | 50 | 0,7 |

ADDITIONAL INFORMATION Available dimensions pins according to the dimensions of the heat-sealable insulating pins.

PIN WITH SCREW



Material: copper covered steel, stainless steel 1.4301, screw galvanized, stainless steel

Use: supplied with screw in any dimension. Tools are available to purchase to match the screws used. Insulation pins are made of heat-sealable wire in diameters range $\varnothing 2\text{mm}$ to $\varnothing 5\text{mm}$.

Availability: on request

Logistic minimum:

25mm – 40mm – 2000 pcs/package

50mm – 100mm – 1000 pcs/package

from 110mm – 500 pcs/package

| Name | d_1 | d_2 | L_1 |
|----------------|--------------------------|----------|----------|
| Pin with screw | $\varnothing 2; 3; 4; 5$ | any size | any size |

ADDITIONAL
INFORMATION

Available dimensions pins according to the dimensions of the heat-sealable insulating pins.

THE ORDERING PROCEDURE FOR PINS

The pins with self-adhesive holders, perforated holders and screw are available in any dimension similar to heat seal insulating pins.

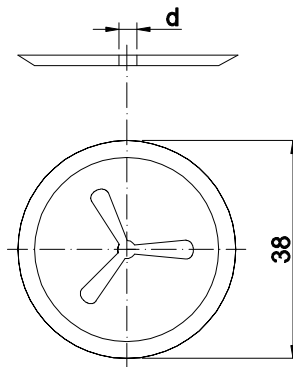
When ordering the above pins the assigned index to the insulation pin should be used (page no 15). At the end of index specific symbol should be used according to the below table:

| | self-adhesive | | | perforated | | with screw | |
|--------|---------------|----------------|------------------|----------------|------------------|----------------|------------------|
| | Steel | copper covered | stainless 1.4301 | copper covered | stainless 1.4301 | copper covered | stainless 1.4301 |
| Holder | stainless | -SMN | -SNN | - | - | - | - |
| | galvanized | -SMO | -SNO | -PM | -PN | - | - |
| | with screw | - | - | - | - | -WM | -WN |

ADDITIONAL
INFORMATION

For example: Pin with self-adhesive holder, 3 x 40mm, copper covered steel, holder stainless steel – [T-03-013040 - SMN]

CLIP TYPE R



Material: galvanized steel ST, OC; stainless steel 1.4301

Use: applicable for mounting insulation on all types of pins.

Availability: in stock

Logistic minimum: 6000 pcs/package

MATERIAL: STEEL ST

| d | Diameter (mm) | Weight (kg/100) | Index |
|---|---------------|-----------------|----------|
| 3 | 38 | 0,35 | T-03-001 |
| 4 | 38 | 0,35 | T-03-002 |
| 5 | 38 | 0,35 | T-03-003 |

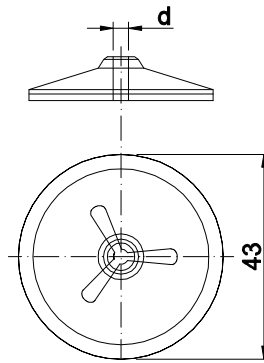
MATERIAL: STEEL OC

| d | Diameter (mm) | Weight (kg/100) | Index |
|---|---------------|-----------------|----------|
| 3 | 38 | 0,35 | T-03-004 |
| 4 | 38 | 0,35 | T-03-005 |
| 5 | 38 | 0,35 | T-03-006 |

MATERIAL: STAINLESS STEEL 1.4301

| d | Diameter (mm) | Weight (kg/100) | Index |
|---|---------------|-----------------|----------|
| 3 | 38 | 0,35 | T-03-007 |
| 4 | 38 | 0,35 | T-03-008 |
| 5 | 38 | 0,35 | T-03-009 |

CLIP TYPE WN (DECORATIVE)



Material: galvanized steel ST, OC; stainless steel 1.4301

Use: applicable for mounting insulation on all types of pins. Clip supplied with decorative PVC cover.

Availability: in stock

Logistic minimum: 2500 pcs/package

MATERIAL: STEEL ST

| d | Diameter (mm) | Weight (kg/100) | Index |
|---|---------------|-----------------|----------|
| 3 | 43 | 0,35 | T-03-010 |
| 4 | 43 | 0,35 | T-03-011 |
| 5 | 43 | 0,35 | T-03-012 |

MATERIAL: STEEL OC

| d | Diameter (mm) | Weight (kg/100) | Index |
|---|---------------|-----------------|----------|
| 3 | 43 | 0,35 | T-03-013 |
| 4 | 43 | 0,35 | T-03-014 |
| 5 | 43 | 0,35 | T-03-015 |

MATERIAL: STAINLESS STEEL 1.4301

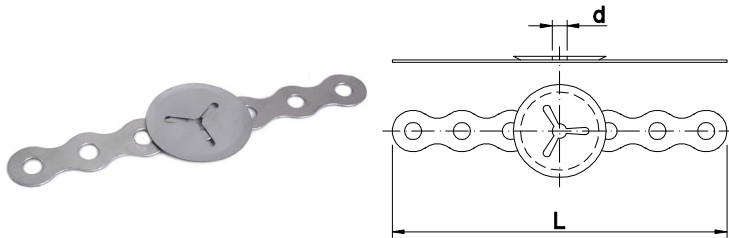
| d | Diameter (mm) | Weight (kg/100) | Index |
|---|---------------|-----------------|----------|
| 3 | 43 | 0,35 | T-03-016 |
| 4 | 43 | 0,35 | T-03-017 |
| 5 | 43 | 0,35 | T-03-018 |

ADDITIONAL
INFORMATION

The standard cover of the clip is white.

Other colours are available, eg. silver, black. Index available on request.

CLIP TYPE R (WITH STRAP)



Material: galvanized steel ST

Use: the clip with additional strap; applied to hold the assembled electrical wires

Availability: on request

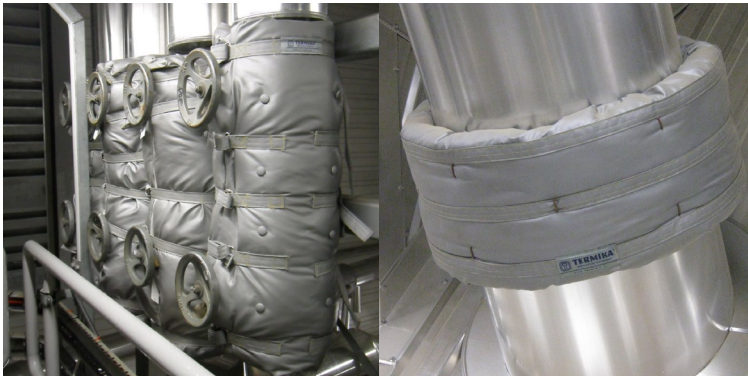
Logistic minimum: 3000 pcs/package

MATERIAL: STEEL ST DIAMETER 38MM

| d | L | Weight (kg/100) | Index |
|---|-----|-----------------|----------|
| 3 | 135 | 0,35 | T-03-019 |
| 4 | 135 | 0,35 | T-03-020 |
| 5 | 135 | 0,35 | T-03-021 |

ADDITIONAL INFORMATION The standard width of the strap is 135mm. Current information on other roll widths is available on request.

THERMAL INSULATION MATTRESSES



Material: heat-resistant mineral wool and fabrics

Use: thermal and acoustic insulation for industrial installations (factories, district heating, heat and power plants, waste incinerators, gas distribution plants, petrochemical plants, refineries, offshore, shipbuilding, extractive industries).

Availability: on request

PRODUCT CHARACTERISTICS

thermal insulation mattresses are installed in places that are difficult to access, which cannot be insulated in a traditional way

designed individually for a given structure on the basis of technical data provided by the customer or after taking measurements by one of our representatives

fabricated in any size and shape adapted to the existing installation

shape, thickness, assembly method is selected each time to the assumed expected parameters

provide excellent thermal and sound insulation

in terms of resistance to high temperature of the working fabric, we make thermal insulation mattresses up to 200°C or above 200°C

insulation mattresses are fabricated in the variant intended for land industries or marine and offshore

ADVANTAGES OF USING THERMAL INSULATION MATTRESSES

high durability of insulation

reduction of inspection downtime and renovations

high flexibility and low weight enable insulation in places where other systems cannot be used

protection against burns

multiple use, no need to dispose of post-renovation waste

protection of machines and other items against high temperatures

easy and clean disassembly by own staff, without the need for specialized training

proper operation of the device and minimization of the risk of related failure with overheating of the machine

easy and quick access to places that require frequent inspections, renovations, service works

perfect insulation of a given element

SPECIFICATION

Insulation mattresses are made of materials that are trimmed with technical fabrics using heat-resistant threads. Mattresses materials have a temperature resistance of up to 1000 ° C. We use high quality glass, silicon, pasted, ceramic or aluminium coated fabrics. These fabrics are non-flammable, resistant to high temperatures, chemicals, molds and processes putrefaction, steam, water corrosion.

Depending on the conditions, operating temperature and customer requirements, felt, mineral and ceramic wool mats are used as the filling.

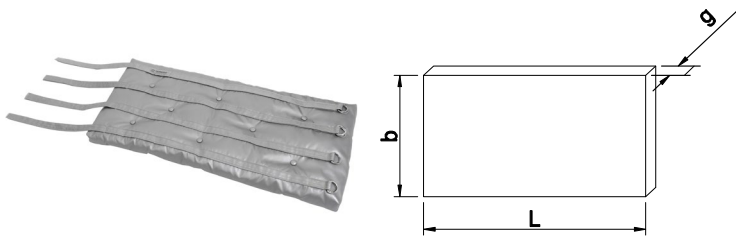
Mattresses are equipped with straps, cords, Velcro, hooks, clasps enabling easy and quick assembly / disassembly. This technical solution facilitates servicing, replacement of worn components or organizing planned commissioning of installations.

| | |
|---------------------------|--|
| Use fulfillment | mineral wool, ceramic mat, glass mat |
| Fabrics used | glass, siliconed, pasted, ceramic, fabric covered with aluminum |
| Fastening elements | belts, straps, hooks, buckles |
| Types of fasteners | different variants of joining individual fasteners are possible depending on request |



ADDITIONAL INFORMATION Possible types of thermal insulation mattresses are presented on the following pages.

TYPE „A” (RECTANGULAR MATTRESS)



Product technical description:

| | | |
|----------------------------|----|-----------|
| TL | A1 | L x b x g |
| TM | A2 | |
| e.g. TM-A1-1000 x 300 x 50 | | |

TL – onshore

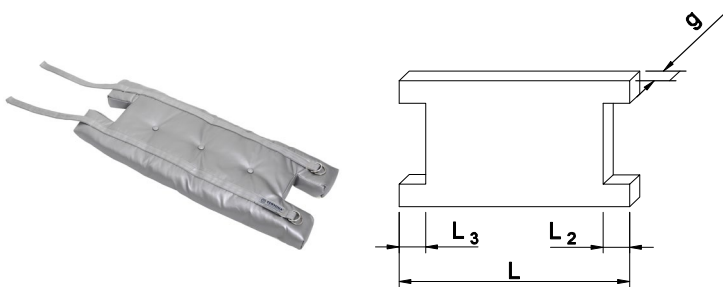
TM – marine and offshore

A1 – work fabric up to 200°C

A2 – working fabric above 200°C

| Mark | Dimension | Range |
|--------|-----------|---------------------|
| L (mm) | length | 20 - 2000 |
| b (mm) | width | 20 - 2000 |
| g (mm) | thickness | 25, 40, 60, 80, 100 |

TYPE „B” (RECTANGULAR MATTRESS WITH RECTANGULAR CUT)



Product technical description:

| | | |
|----------------------------|----|-----------|
| TL | B1 | L x b x g |
| TM | B2 | |
| e.g. TM-B1-1000 x 300 x 50 | | |

TL – onshore

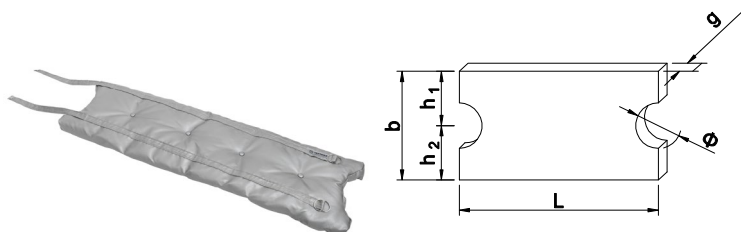
TM – marine and offshore

B1 – work fabric up to 200°C

B2 – working fabric above 200°C

| Mark | Dimension | Range |
|----------|-----------|---------------------|
| L (mm) | length | 20 - 2000 |
| b (mm) | width | 20 - 2000 |
| + g (mm) | thickness | 25, 40, 60, 80, 100 |

TYPE „C” (RECTANGULAR MATTRESS WITH ROUND CUT)



Product technical description:

| | | |
|----|----|-----------|
| TL | C1 | L x b x g |
| TM | C2 | |

e.g. TM-C1-1000 x 300 x 50

TL – onshore

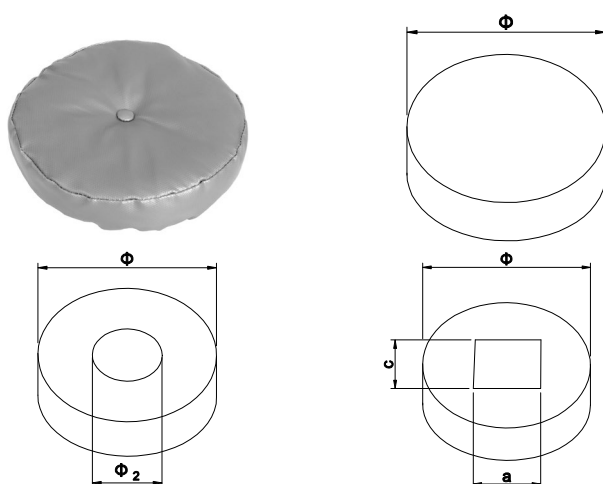
TM – marine and offshore

C1 – work fabric up to 200°C

C2 – working fabric above 200°C

| Mark | Dimension | Range |
|--------|-----------|---------------------|
| L (mm) | length | 20 - 2000 |
| b (mm) | width | 20 - 2000 |
| g (mm) | thickness | 25, 40, 60, 80, 100 |

TYPE „D” (LID, WITH OR WITHOUT CUT)



Product technical description:

| | | |
|----|----|-------|
| TL | D1 | Ø x g |
| TM | D2 | |

e.g. TL-D1-300 x 50

TL – onshore

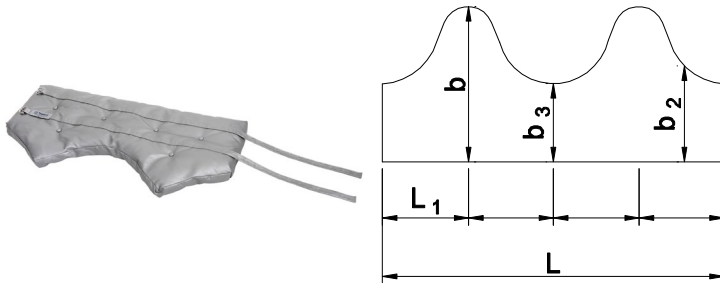
TM – marine and offshore

D1 – work fabric up to 200°C

D2 – working fabric above 200°C

| Mark | Dimension | Range |
|--------|-----------|---------------------|
| L (mm) | length | 20 - 2000 |
| b (mm) | width | 20 - 2000 |
| g (mm) | thickness | 25, 40, 60, 80, 100 |
| Ø (mm) | thickness | 20 - 1000 |

TYPE „S” (TEE CONNECTOR INSULATION MATTRESS)



Product technical description:

| | | |
|----------------------------|----|-----------|
| TL | S1 | L x b x g |
| TM | S2 | |
| e.g. TM-S1-1000 x 300 x 50 | | |

TL – onshore

TM – marine and offshore

S1 – work fabric up to 200°C

S2 – working fabric above 200°C

Mark

L (mm)

L_1 (mm)

b (mm)

b_2 (mm)

b_3 (mm)

Dimension

total length

distance between the lowest and highest point

highest point

average point

lowest point

TYPE „N” (ATYPICAL)

Product technical description:

TL

N1

L x b x g

TM

N2

np. TM-N1-300 x 50

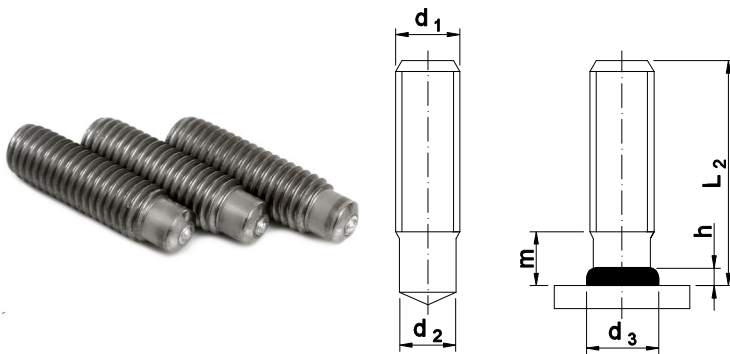
TL – onshore

TM – marine and offshore

N1 – work fabric up to 200°C

N2 – working fabric above 200°C

THREADED STUD TYPE RD



Material: stainless steel, steel 4.8

Use: threaded mounting studs with undercut threads and shafts come in a wide range of applications in the marine and land industry.

Availability: on request

Logistic minimum: 100 pcs/package

MATERIAL: STAINLESS STEEL

| d_1 | L_2 | d_2 | $m \approx$ | d_3 | $h \approx$ | Ceramic Ring | Index |
|-------|-------|-------|-------------|-------|-------------|--------------|----------------|
| M6 | 15 | 4,7 | 4,5 | 6,5 | 2,5 | RF6 | T-05-RD1M6015 |
| M6 | 20 | 4,7 | 4,5 | 6,5 | 2,5 | RF6 | T-05-RD1M6020 |
| M6 | 25 | 4,7 | 4,5 | 6,5 | 2,5 | RF6 | T-05-RD1M6025 |
| M6 | 30 | 4,7 | 4,5 | 6,5 | 2,5 | RF6 | T-05-RD1M6030 |
| M6 | 35 | 4,7 | 4,5 | 6,5 | 2,5 | RF6 | T-05-RD1M6035 |
| M6 | 40 | 4,7 | 4,5 | 6,5 | 2,5 | RF6 | T-05-RD1M6040 |
| M6 | 45 | 4,7 | 4,5 | 6,5 | 2,5 | RF6 | T-05-RD1M6045 |
| M6 | 50 | 4,7 | 4,5 | 6,5 | 2,5 | RF6 | T-05-RD1M6050 |
| M8 | 20 | 6,2 | 4,5 | 8,8 | 2,5 | RF8 | T-05-RD1M8020 |
| M8 | 25 | 6,2 | 4,5 | 8,8 | 2,5 | RF8 | T-05-RD1M8025 |
| M8 | 30 | 6,2 | 4,5 | 8,8 | 2,5 | RF8 | T-05-RD1M8030 |
| M8 | 35 | 6,2 | 4,5 | 8,8 | 2,5 | RF8 | T-05-RD1M8035 |
| M8 | 40 | 6,2 | 4,5 | 8,8 | 2,5 | RF8 | T-05-RD1M8040 |
| M8 | 45 | 6,2 | 4,5 | 8,8 | 2,5 | RF8 | T-05-RD1M8045 |
| M8 | 50 | 6,2 | 4,5 | 8,8 | 2,5 | RF8 | T-05-RD1M8050 |
| M10 | 20 | 7,9 | 5,0 | 11,0 | 3,0 | RF10 | T-05-RD1M10020 |
| M10 | 25 | 7,9 | 5,0 | 11,0 | 3,0 | RF10 | T-05-RD1M10025 |
| M10 | 30 | 7,9 | 5,0 | 11,0 | 3,0 | RF10 | T-05-RD1M10030 |
| M10 | 35 | 7,9 | 5,0 | 11,0 | 3,0 | RF10 | T-05-RD1M10035 |
| M10 | 40 | 7,9 | 5,0 | 11,0 | 3,0 | RF10 | T-05-RD1M10040 |
| M10 | 45 | 7,9 | 5,0 | 11,0 | 3,0 | RF10 | T-05-RD1M10045 |
| M10 | 50 | 7,9 | 5,0 | 11,0 | 3,0 | RF10 | T-05-RD1M10050 |
| M10 | 55 | 7,9 | 5,0 | 11,0 | 3,0 | RF10 | T-05-RD1M10055 |
| M10 | 60 | 7,9 | 5,0 | 11,0 | 3,0 | RF10 | T-05-RD1M10060 |
| M12 | 20 | 9,5 | 6,5 | 13,0 | 4,0 | RF12 | T-05-RD1M12020 |
| M12 | 25 | 9,5 | 6,5 | 13,0 | 4,0 | RF12 | T-05-RD1M12025 |
| M12 | 30 | 9,5 | 6,5 | 13,0 | 4,0 | RF12 | T-05-RD1M12030 |
| M12 | 35 | 9,5 | 6,5 | 13,0 | 4,0 | RF12 | T-05-RD1M12035 |
| M12 | 40 | 9,5 | 6,5 | 13,0 | 4,0 | RF12 | T-05-RD1M12040 |
| M12 | 45 | 9,5 | 6,5 | 13,0 | 4,0 | RF12 | T-05-RD1M12045 |
| M12 | 50 | 9,5 | 6,5 | 13,0 | 4,0 | RF12 | T-05-RD1M12050 |
| M12 | 55 | 9,5 | 6,5 | 13,0 | 4,0 | RF12 | T-05-RD1M12055 |
| M12 | 60 | 9,5 | 6,5 | 13,0 | 4,0 | RF12 | T-05-RD1M12060 |
| M16 | 30 | 13,2 | 11,0 | 17,0 | 5,0 | RF16 | T-05-RD1M16030 |
| M16 | 35 | 13,2 | 11,0 | 17,0 | 5,0 | RF16 | T-05-RD1M16035 |
| M16 | 40 | 13,2 | 11,0 | 17,0 | 5,0 | RF16 | T-05-RD1M16040 |
| M16 | 45 | 13,2 | 11,0 | 17,0 | 5,0 | RF16 | T-05-RD1M16045 |
| M16 | 50 | 13,2 | 11,0 | 17,0 | 5,0 | RF16 | T-05-RD1M16050 |
| M16 | 55 | 13,2 | 11,0 | 17,0 | 5,0 | RF16 | T-05-RD1M16055 |
| M16 | 60 | 13,2 | 11,0 | 17,0 | 5,0 | RF16 | T-05-RD1M16060 |
| M16 | 65 | 13,2 | 11,0 | 17,0 | 5,0 | RF16 | T-05-RD1M16065 |

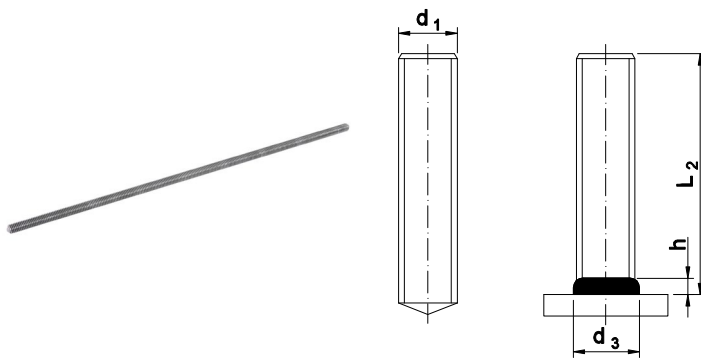
| d ₁ | L ₂ | d ₂ | m ≈ | d ₃ | h ≈ | Ceramic Ring | Index |
|----------------|----------------|----------------|------|----------------|-----|--------------|----------------|
| M20 | 35 | 16,5 | 13,0 | 21,0 | 6,0 | RF20 | T-05-RD1M20035 |
| M20 | 40 | 16,5 | 13,0 | 21,0 | 6,0 | RF20 | T-05-RD1M20040 |
| M20 | 45 | 16,5 | 13,0 | 21,0 | 6,0 | RF20 | T-05-RD1M20045 |
| M20 | 50 | 16,5 | 13,0 | 21,0 | 6,0 | RF20 | T-05-RD1M20050 |
| M20 | 55 | 16,5 | 13,0 | 21,0 | 6,0 | RF20 | T-05-RD1M20055 |
| M20 | 60 | 16,5 | 13,0 | 21,0 | 6,0 | RF20 | T-05-RD1M20060 |
| M20 | 65 | 16,5 | 13,0 | 21,0 | 6,0 | RF20 | T-05-RD1M20065 |
| M20 | 70 | 16,5 | 13,0 | 21,0 | 6,0 | RF20 | T-05-RD1M20070 |
| M20 | 100 | 16,5 | 13,0 | 21,0 | 6,0 | RF20 | T-05-RD1M20100 |

MATERIAL: STEEL 4.8

| d ₁ | L ₂ | d ₂ | m ≈ | d ₃ | h ≈ | Ceramic Ring | Index |
|----------------|----------------|----------------|------|----------------|-----|--------------|----------------|
| M6 | 15 | 4,7 | 4,5 | 6,5 | 2,5 | RF6 | T-05-RD2M6015 |
| M6 | 20 | 4,7 | 4,5 | 6,5 | 2,5 | RF6 | T-05-RD2M6020 |
| M6 | 25 | 4,7 | 4,5 | 6,5 | 2,5 | RF6 | T-05-RD2M6025 |
| M6 | 30 | 4,7 | 4,5 | 6,5 | 2,5 | RF6 | T-05-RD2M6030 |
| M6 | 35 | 4,7 | 4,5 | 6,5 | 2,5 | RF6 | T-05-RD2M6035 |
| M6 | 40 | 4,7 | 4,5 | 6,5 | 2,5 | RF6 | T-05-RD2M6040 |
| M6 | 45 | 4,7 | 4,5 | 6,5 | 2,5 | RF6 | T-05-RD2M6045 |
| M6 | 50 | 4,7 | 4,5 | 6,5 | 2,5 | RF6 | T-05-RD2M6050 |
| M8 | 20 | 6,2 | 4,5 | 8,8 | 2,5 | RF8 | T-05-RD2M8020 |
| M8 | 25 | 6,2 | 4,5 | 8,8 | 2,5 | RF8 | T-05-RD2M8025 |
| M8 | 30 | 6,2 | 4,5 | 8,8 | 2,5 | RF8 | T-05-RD2M8030 |
| M8 | 35 | 6,2 | 4,5 | 8,8 | 2,5 | RF8 | T-05-RD2M8035 |
| M8 | 40 | 6,2 | 4,5 | 8,8 | 2,5 | RF8 | T-05-RD2M8040 |
| M8 | 45 | 6,2 | 4,5 | 8,8 | 2,5 | RF8 | T-05-RD2M8045 |
| M8 | 50 | 6,2 | 4,5 | 8,8 | 2,5 | RF8 | T-05-RD2M8050 |
| M10 | 20 | 7,9 | 5,0 | 11,0 | 3,0 | RF10 | T-05-RD2M10020 |
| M10 | 25 | 7,9 | 5,0 | 11,0 | 3,0 | RF10 | T-05-RD2M10025 |
| M10 | 30 | 7,9 | 5,0 | 11,0 | 3,0 | RF10 | T-05-RD2M10030 |
| M10 | 35 | 7,9 | 5,0 | 11,0 | 3,0 | RF10 | T-05-RD2M10035 |
| M10 | 40 | 7,9 | 5,0 | 11,0 | 3,0 | RF10 | T-05-RD2M10040 |
| M10 | 45 | 7,9 | 5,0 | 11,0 | 3,0 | RF10 | T-05-RD2M10045 |
| M10 | 50 | 7,9 | 5,0 | 11,0 | 3,0 | RF10 | T-05-RD2M10050 |
| M10 | 55 | 7,9 | 5,0 | 11,0 | 3,0 | RF10 | T-05-RD2M10055 |
| M10 | 60 | 7,9 | 5,0 | 11,0 | 3,0 | RF10 | T-05-RD2M10060 |
| M12 | 20 | 9,5 | 6,5 | 13,0 | 4,0 | RF12 | T-05-RD2M12020 |
| M12 | 25 | 9,5 | 6,5 | 13,0 | 4,0 | RF12 | T-05-RD2M12025 |
| M12 | 30 | 9,5 | 6,5 | 13,0 | 4,0 | RF12 | T-05-RD2M12030 |
| M12 | 35 | 9,5 | 6,5 | 13,0 | 4,0 | RF12 | T-05-RD2M12035 |
| M12 | 40 | 9,5 | 6,5 | 13,0 | 4,0 | RF12 | T-05-RD2M12040 |
| M12 | 45 | 9,5 | 6,5 | 13,0 | 4,0 | RF12 | T-05-RD2M12045 |
| M12 | 50 | 9,5 | 6,5 | 13,0 | 4,0 | RF12 | T-05-RD2M12050 |
| M12 | 55 | 9,5 | 6,5 | 13,0 | 4,0 | RF12 | T-05-RD2M12055 |
| M12 | 60 | 9,5 | 6,5 | 13,0 | 4,0 | RF12 | T-05-RD2M12060 |
| M16 | 30 | 13,2 | 11,0 | 17,0 | 5,0 | RF16 | T-05-RD2M16030 |
| M16 | 35 | 13,2 | 11,0 | 17,0 | 5,0 | RF16 | T-05-RD2M16035 |
| M16 | 40 | 13,2 | 11,0 | 17,0 | 5,0 | RF16 | T-05-RD2M16040 |
| M16 | 45 | 13,2 | 11,0 | 17,0 | 5,0 | RF16 | T-05-RD2M16045 |
| M16 | 50 | 13,2 | 11,0 | 17,0 | 5,0 | RF16 | T-05-RD2M16050 |
| M16 | 55 | 13,2 | 11,0 | 17,0 | 5,0 | RF16 | T-05-RD2M16055 |
| M16 | 60 | 13,2 | 11,0 | 17,0 | 5,0 | RF16 | T-05-RD2M16060 |
| M16 | 65 | 13,2 | 11,0 | 17,0 | 5,0 | RF16 | T-05-RD2M16065 |
| M20 | 35 | 16,5 | 13,0 | 21,0 | 6,0 | RF20 | T-05-RD2M20035 |
| M20 | 40 | 16,5 | 13,0 | 21,0 | 6,0 | RF20 | T-05-RD2M20040 |
| M20 | 45 | 16,5 | 13,0 | 21,0 | 6,0 | RF20 | T-05-RD2M20045 |
| M20 | 50 | 16,5 | 13,0 | 21,0 | 6,0 | RF20 | T-05-RD2M20050 |
| M20 | 55 | 16,5 | 13,0 | 21,0 | 6,0 | RF20 | T-05-RD2M20055 |
| M20 | 60 | 16,5 | 13,0 | 21,0 | 6,0 | RF20 | T-05-RD2M20060 |
| M20 | 65 | 16,5 | 13,0 | 21,0 | 6,0 | RF20 | T-05-RD2M20065 |
| M20 | 70 | 16,5 | 13,0 | 21,0 | 6,0 | RF20 | T-05-RD2M20070 |
| M20 | 100 | 16,5 | 13,0 | 21,0 | 6,0 | RF20 | T-05-RD2M20100 |

Other dimensions available on request.

THREADED STUD TYPE DD



Material: stainless steel, steel 4.8

Use: mounting studs are fully threaded and usable in a wide range of marine and land industry.

Availability: on request

Logistic minimum: 100 pcs/package

MATERIAL: STAINLESS STEEL

| d ₁ | L ₂ | d ₃ | h ≈ | Ceramic Ring | Index |
|----------------|----------------|----------------|-----|--------------|----------------|
| M6 | 20 | 8,7 | 3,2 | UF6 | T-05-DD1M6020 |
| M6 | 25 | 8,7 | 3,2 | UF6 | T-05-DD1M6025 |
| M6 | 30 | 8,7 | 3,2 | UF6 | T-05-DD1M6030 |
| M6 | 35 | 8,7 | 3,2 | UF6 | T-05-DD1M6035 |
| M6 | 40 | 8,7 | 3,2 | UF6 | T-05-DD1M6040 |
| M6 | 45 | 8,7 | 3,2 | UF6 | T-05-DD1M6045 |
| M6 | 50 | 8,7 | 3,2 | UF6 | T-05-DD1M6050 |
| M6 | 55 | 8,7 | 3,2 | UF6 | T-05-DD1M6055 |
| M6 | 60 | 8,7 | 3,2 | UF6 | T-05-DD1M6060 |
| M8 | 20 | 11,0 | 3,5 | UF8 | T-05-DD1M8020 |
| M8 | 25 | 11,0 | 3,5 | UF8 | T-05-DD1M8025 |
| M8 | 30 | 11,0 | 3,5 | UF8 | T-05-DD1M8030 |
| M8 | 35 | 11,0 | 3,5 | UF8 | T-05-DD1M8035 |
| M8 | 40 | 11,0 | 3,5 | UF8 | T-05-DD1M8040 |
| M8 | 45 | 11,0 | 3,5 | UF8 | T-05-DD1M8045 |
| M8 | 50 | 11,0 | 3,5 | UF8 | T-05-DD1M8050 |
| M8 | 55 | 11,0 | 3,5 | UF8 | T-05-DD1M8055 |
| M8 | 60 | 11,0 | 3,5 | UF8 | T-05-DD1M8060 |
| M10 | 20 | 13,5 | 3,5 | UF10 | T-05-DD1M10020 |
| M10 | 25 | 13,5 | 3,5 | UF10 | T-05-DD1M10025 |
| M10 | 30 | 13,5 | 3,5 | UF10 | T-05-DD1M10030 |
| M10 | 35 | 13,5 | 3,5 | UF10 | T-05-DD1M10035 |
| M10 | 40 | 13,5 | 3,5 | UF10 | T-05-DD1M10040 |
| M10 | 45 | 13,5 | 3,5 | UF10 | T-05-DD1M10045 |
| M10 | 50 | 13,5 | 3,5 | UF10 | T-05-DD1M10050 |
| M10 | 55 | 13,5 | 3,5 | UF10 | T-05-DD1M10055 |
| M10 | 60 | 13,5 | 3,5 | UF10 | T-05-DD1M10060 |
| M12 | 20 | 15,5 | 4,5 | UF12 | T-05-DD1M12020 |
| M12 | 25 | 15,5 | 4,5 | UF12 | T-05-DD1M12025 |
| M12 | 30 | 15,5 | 4,5 | UF12 | T-05-DD1M12030 |
| M12 | 35 | 15,5 | 4,5 | UF12 | T-05-DD1M12035 |
| M12 | 40 | 15,5 | 4,5 | UF12 | T-05-DD1M12040 |
| M12 | 45 | 15,5 | 4,5 | UF12 | T-05-DD1M12045 |
| M12 | 50 | 15,5 | 4,5 | UF12 | T-05-DD1M12050 |
| M12 | 55 | 15,5 | 4,5 | UF12 | T-05-DD1M12055 |
| M12 | 60 | 15,5 | 4,5 | UF12 | T-05-DD1M12060 |
| M16 | 30 | 20,5 | 7,0 | UF16 | T-05-DD1M16030 |
| M16 | 35 | 20,5 | 7,0 | UF16 | T-05-DD1M16035 |
| M16 | 40 | 20,5 | 7,0 | UF16 | T-05-DD1M16040 |
| M16 | 45 | 20,5 | 7,0 | UF16 | T-05-DD1M16045 |
| M16 | 50 | 20,5 | 7,0 | UF16 | T-05-DD1M16050 |
| M16 | 55 | 20,5 | 7,0 | UF16 | T-05-DD1M16055 |
| M16 | 60 | 20,5 | 7,0 | UF16 | T-05-DD1M16060 |
| M16 | 65 | 20,5 | 7,0 | UF16 | T-05-DD1M16065 |

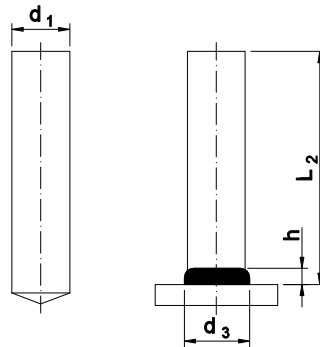
MATERIAL: STEEL 4.8

| d ₁ | L ₂ | d ₃ | h ≈ | Ceramic Ring | Index |
|----------------|----------------|----------------|-----|--------------|----------------|
| M6 | 20 | 8,7 | 3,2 | UF6 | T-05-DD2M6020 |
| M6 | 25 | 8,7 | 3,2 | UF6 | T-05-DD2M6025 |
| M6 | 30 | 8,7 | 3,2 | UF6 | T-05-DD2M6030 |
| M6 | 35 | 8,7 | 3,2 | UF6 | T-05-DD2M6035 |
| M6 | 40 | 8,7 | 3,2 | UF6 | T-05-DD2M6040 |
| M6 | 45 | 8,7 | 3,2 | UF6 | T-05-DD2M6045 |
| M6 | 50 | 8,7 | 3,2 | UF6 | T-05-DD2M6050 |
| M6 | 55 | 8,7 | 3,2 | UF6 | T-05-DD2M6055 |
| M6 | 60 | 8,7 | 3,2 | UF6 | T-05-DD2M6060 |
| M8 | 20 | 11,0 | 3,5 | UF8 | T-05-DD2M8020 |
| M8 | 25 | 11,0 | 3,5 | UF8 | T-05-DD2M8025 |
| M8 | 30 | 11,0 | 3,5 | UF8 | T-05-DD2M8030 |
| M8 | 35 | 11,0 | 3,5 | UF8 | T-05-DD2M8035 |
| M8 | 40 | 11,0 | 3,5 | UF8 | T-05-DD2M8040 |
| M8 | 45 | 11,0 | 3,5 | UF8 | T-05-DD2M8045 |
| M8 | 50 | 11,0 | 3,5 | UF8 | T-05-DD2M8050 |
| M8 | 55 | 11,0 | 3,5 | UF8 | T-05-DD2M8055 |
| M8 | 60 | 11,0 | 3,5 | UF8 | T-05-DD2M8060 |
| M10 | 20 | 13,5 | 3,5 | UF10 | T-05-DD2M10020 |
| M10 | 25 | 13,5 | 3,5 | UF10 | T-05-DD2M10025 |
| M10 | 30 | 13,5 | 3,5 | UF10 | T-05-DD2M10030 |
| M10 | 35 | 13,5 | 3,5 | UF10 | T-05-DD2M10035 |
| M10 | 40 | 13,5 | 3,5 | UF10 | T-05-DD2M10040 |
| M10 | 45 | 13,5 | 3,5 | UF10 | T-05-DD2M10045 |
| M10 | 50 | 13,5 | 3,5 | UF10 | T-05-DD2M10050 |
| M10 | 55 | 13,5 | 3,5 | UF10 | T-05-DD2M10055 |
| M10 | 60 | 13,5 | 3,5 | UF10 | T-05-DD2M10060 |
| M12 | 20 | 15,5 | 4,5 | UF12 | T-05-DD2M12020 |
| M12 | 25 | 15,5 | 4,5 | UF12 | T-05-DD2M12025 |
| M12 | 30 | 15,5 | 4,5 | UF12 | T-05-DD2M12030 |
| M12 | 35 | 15,5 | 4,5 | UF12 | T-05-DD2M12035 |
| M12 | 40 | 15,5 | 4,5 | UF12 | T-05-DD2M12040 |
| M12 | 45 | 15,5 | 4,5 | UF12 | T-05-DD2M12045 |
| M12 | 50 | 15,5 | 4,5 | UF12 | T-05-DD2M12050 |
| M12 | 55 | 15,5 | 4,5 | UF12 | T-05-DD2M12055 |
| M12 | 60 | 15,5 | 4,5 | UF12 | T-05-DD2M12060 |
| M16 | 30 | 20,5 | 7,0 | UF16 | T-05-DD2M16030 |
| M16 | 35 | 20,5 | 7,0 | UF16 | T-05-DD2M16035 |
| M16 | 40 | 20,5 | 7,0 | UF16 | T-05-DD2M16040 |
| M16 | 45 | 20,5 | 7,0 | UF16 | T-05-DD2M16045 |
| M16 | 50 | 20,5 | 7,0 | UF16 | T-05-DD2M16050 |
| M16 | 55 | 20,5 | 7,0 | UF16 | T-05-DD2M16055 |
| M16 | 60 | 20,5 | 7,0 | UF16 | T-05-DD2M16060 |
| M16 | 65 | 20,5 | 7,0 | UF16 | T-05-DD2M16065 |

ADDITIONAL
INFORMATION

Standard lengths up to 100mm available. Other dimensions available on request.

UNTHREADED STUD TYPE UD



Material: stainless steel, steel 4.8

Use: unthreaded mounting studs come in a wide range of applications in the marine and land industry.

Availability: on request

Logistic minimum: 100 pcs/package

MATERIAL: STAINLESS STEEL

| d_1 | L_2 | d_3 | $h \approx$ | Ferrule | Index |
|-------|-------|-------|-------------|---------|---------------|
| 6 | 20 | 8,5 | 4,0 | UF6 | T-05-UD16020 |
| 6 | 25 | 8,5 | 4,0 | UF6 | T-05-UD16025 |
| 6 | 30 | 8,5 | 4,0 | UF6 | T-05-UD16030 |
| 6 | 35 | 8,5 | 4,0 | UF6 | T-05-UD16035 |
| 6 | 40 | 8,5 | 4,0 | UF6 | T-05-UD16040 |
| 6 | 45 | 8,5 | 4,0 | UF6 | T-05-UD16045 |
| 6 | 50 | 8,5 | 4,0 | UF6 | T-05-UD16050 |
| 6 | 55 | 8,5 | 4,0 | UF6 | T-05-UD16055 |
| 6 | 60 | 8,5 | 4,0 | UF6 | T-05-UD16060 |
| 8 | 20 | 11,0 | 4,0 | UF8 | T-05-UD18020 |
| 8 | 25 | 11,0 | 4,0 | UF8 | T-05-UD18025 |
| 8 | 30 | 11,0 | 4,0 | UF8 | T-05-UD18030 |
| 8 | 35 | 11,0 | 4,0 | UF8 | T-05-UD18035 |
| 8 | 40 | 11,0 | 4,0 | UF8 | T-05-UD18040 |
| 8 | 45 | 11,0 | 4,0 | UF8 | T-05-UD18045 |
| 8 | 50 | 11,0 | 4,0 | UF8 | T-05-UD18050 |
| 8 | 55 | 11,0 | 4,0 | UF8 | T-05-UD18055 |
| 8 | 60 | 11,0 | 4,0 | UF8 | T-05-UD18060 |
| 10 | 20 | 13,0 | 4,0 | UF10 | T-05-UD110020 |
| 10 | 25 | 13,0 | 4,0 | UF10 | T-05-UD110025 |
| 10 | 30 | 13,0 | 4,0 | UF10 | T-05-UD110030 |
| 10 | 35 | 13,0 | 4,0 | UF10 | T-05-UD110035 |
| 10 | 40 | 13,0 | 4,0 | UF10 | T-05-UD110040 |
| 10 | 45 | 13,0 | 4,0 | UF10 | T-05-UD110045 |
| 10 | 50 | 13,0 | 4,0 | UF10 | T-05-UD110050 |
| 10 | 55 | 13,0 | 4,0 | UF10 | T-05-UD110055 |
| 10 | 60 | 13,0 | 4,0 | UF10 | T-05-UD110060 |
| 12 | 20 | 16,0 | 4,0 | UF12 | T-05-UD112020 |
| 12 | 25 | 16,0 | 4,0 | UF12 | T-05-UD112025 |
| 12 | 30 | 16,0 | 4,0 | UF12 | T-05-UD112030 |
| 12 | 35 | 16,0 | 4,0 | UF12 | T-05-UD112035 |
| 12 | 40 | 16,0 | 4,0 | UF12 | T-05-UD112040 |
| 12 | 45 | 16,0 | 4,0 | UF12 | T-05-UD112045 |
| 12 | 50 | 16,0 | 4,0 | UF12 | T-05-UD112050 |
| 12 | 55 | 16,0 | 4,0 | UF12 | T-05-UD112055 |
| 12 | 60 | 16,0 | 4,0 | UF12 | T-05-UD112060 |
| 16 | 30 | 20,0 | 4,0 | UF16 | T-05-UD116030 |
| 16 | 35 | 20,0 | 4,0 | UF16 | T-05-UD116035 |
| 16 | 40 | 20,0 | 4,0 | UF16 | T-05-UD116040 |
| 16 | 45 | 20,0 | 4,0 | UF16 | T-05-UD116045 |
| 16 | 50 | 20,0 | 4,0 | UF16 | T-05-UD116050 |
| 16 | 55 | 20,0 | 4,0 | UF16 | T-05-UD116055 |
| 16 | 60 | 20,0 | 4,0 | UF16 | T-05-UD116060 |
| 16 | 65 | 20,0 | 4,0 | UF16 | T-05-UD116065 |

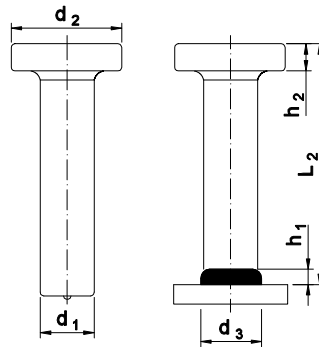
MATERIAL: STEEL 4.8

| d_1 | L_2 | d_3 | $h \approx$ | Ferrule | Index |
|-------|-------|-------|-------------|---------|---------------|
| 6 | 20 | 8,5 | 4,0 | UF6 | T-05-UD26020 |
| 6 | 25 | 8,5 | 4,0 | UF6 | T-05-UD26025 |
| 6 | 30 | 8,5 | 4,0 | UF6 | T-05-UD26030 |
| 6 | 35 | 8,5 | 4,0 | UF6 | T-05-UD26035 |
| 6 | 40 | 8,5 | 4,0 | UF6 | T-05-UD26040 |
| 6 | 45 | 8,5 | 4,0 | UF6 | T-05-UD26045 |
| 6 | 50 | 8,5 | 4,0 | UF6 | T-05-UD26050 |
| 6 | 55 | 8,5 | 4,0 | UF6 | T-05-UD26055 |
| 6 | 60 | 8,5 | 4,0 | UF6 | T-05-UD26060 |
| 8 | 20 | 11,0 | 4,0 | UF8 | T-05-UD28020 |
| 8 | 25 | 11,0 | 4,0 | UF8 | T-05-UD28025 |
| 8 | 30 | 11,0 | 4,0 | UF8 | T-05-UD28030 |
| 8 | 35 | 11,0 | 4,0 | UF8 | T-05-UD28035 |
| 8 | 40 | 11,0 | 4,0 | UF8 | T-05-UD28040 |
| 8 | 45 | 11,0 | 4,0 | UF8 | T-05-UD28045 |
| 8 | 50 | 11,0 | 4,0 | UF8 | T-05-UD28050 |
| 8 | 55 | 11,0 | 4,0 | UF8 | T-05-UD28055 |
| 8 | 60 | 11,0 | 4,0 | UF8 | T-05-UD28060 |
| 10 | 20 | 13,0 | 4,0 | UF10 | T-05-UD210020 |
| 10 | 25 | 13,0 | 4,0 | UF10 | T-05-UD210025 |
| 10 | 30 | 13,0 | 4,0 | UF10 | T-05-UD210030 |
| 10 | 35 | 13,0 | 4,0 | UF10 | T-05-UD210035 |
| 10 | 40 | 13,0 | 4,0 | UF10 | T-05-UD210040 |
| 10 | 45 | 13,0 | 4,0 | UF10 | T-05-UD210045 |
| 10 | 50 | 13,0 | 4,0 | UF10 | T-05-UD210050 |
| 10 | 55 | 13,0 | 4,0 | UF10 | T-05-UD210055 |
| 10 | 60 | 13,0 | 4,0 | UF10 | T-05-UD210060 |
| 12 | 20 | 16,0 | 4,0 | UF12 | T-05-UD212020 |
| 12 | 25 | 16,0 | 4,0 | UF12 | T-05-UD212025 |
| 12 | 30 | 16,0 | 4,0 | UF12 | T-05-UD212030 |
| 12 | 35 | 16,0 | 4,0 | UF12 | T-05-UD212035 |
| 12 | 40 | 16,0 | 4,0 | UF12 | T-05-UD212040 |
| 12 | 45 | 16,0 | 4,0 | UF12 | T-05-UD212045 |
| 12 | 50 | 16,0 | 4,0 | UF12 | T-05-UD212050 |
| 12 | 55 | 16,0 | 4,0 | UF12 | T-05-UD212055 |
| 12 | 60 | 16,0 | 4,0 | UF12 | T-05-UD212060 |
| 16 | 30 | 20,0 | 4,0 | UF16 | T-05-UD216030 |
| 16 | 35 | 20,0 | 4,0 | UF16 | T-05-UD216035 |
| 16 | 40 | 20,0 | 4,0 | UF16 | T-05-UD216040 |
| 16 | 45 | 20,0 | 4,0 | UF16 | T-05-UD216045 |
| 16 | 50 | 20,0 | 4,0 | UF16 | T-05-UD216050 |
| 16 | 55 | 20,0 | 4,0 | UF16 | T-05-UD216055 |
| 16 | 60 | 20,0 | 4,0 | UF16 | T-05-UD216060 |
| 16 | 65 | 20,0 | 4,0 | UF16 | T-05-UD216065 |

ADDITIONAL
INFORMATION

Standard lengths up to 100mm available. Other dimensions available on request.

HEADED STUD TERMIKA SD



Material: structural steel S235J2+C450 or S355J2+C450

Use: studs are welded on the surface of steel structures, the studs poured with concrete creates the kind of connector between steel construction and concrete. It has European Technical Approval and CE.

Availability: in stock

Logistic minimum: 100 pcs/package

MATERIAL: STRUCTURAL STEEL S235J2

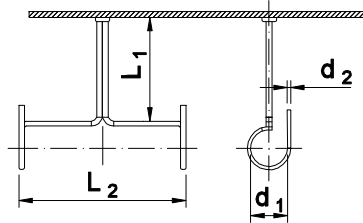
| d_1 | L_2 | h_1 | d_2 | d_3 | h_2 | Index |
|-------|-------|-------|-------|-------|-------|--------------|
| 10 | 50 | 2,5 | 19 | 13 | 7 | T-06-SD10050 |
| 10 | 75 | 2,5 | 19 | 13 | 7 | T-06-SD10075 |
| 10 | 100 | 2,5 | 19 | 13 | 7 | T-06-SD10100 |
| 10 | 125 | 2,5 | 19 | 13 | 7 | T-06-SD10125 |
| 10 | 150 | 2,5 | 19 | 13 | 7 | T-06-SD10150 |
| 10 | 175 | 2,5 | 19 | 13 | 7 | T-06-SD10175 |
| 10 | 200 | 2,5 | 19 | 13 | 7 | T-06-SD10200 |
| 13 | 50 | 3 | 25 | 17 | 8 | T-06-SD13050 |
| 13 | 75 | 3 | 25 | 17 | 8 | T-06-SD13075 |
| 13 | 100 | 3 | 25 | 17 | 8 | T-06-SD13100 |
| 13 | 125 | 3 | 25 | 17 | 8 | T-06-SD13125 |
| 13 | 150 | 3 | 25 | 17 | 8 | T-06-SD13150 |
| 13 | 175 | 3 | 25 | 17 | 8 | T-06-SD13175 |
| 13 | 200 | 3 | 25 | 17 | 8 | T-06-SD13200 |
| 13 | 225 | 3 | 25 | 17 | 8 | T-06-SD13225 |
| 13 | 250 | 3 | 25 | 17 | 8 | T-06-SD13250 |
| 13 | 300 | 3 | 25 | 17 | 8 | T-06-SD13300 |
| 13 | 350 | 3 | 25 | 17 | 8 | T-06-SD13350 |
| 13 | 400 | 3 | 25 | 17 | 8 | T-06-SD13400 |
| 16 | 50 | 4,5 | 32 | 21 | 8 | T-06-SD16050 |
| 16 | 75 | 4,5 | 32 | 21 | 8 | T-06-SD16075 |
| 16 | 100 | 4,5 | 32 | 21 | 8 | T-06-SD16100 |
| 16 | 125 | 4,5 | 32 | 21 | 8 | T-06-SD16125 |
| 16 | 150 | 4,5 | 32 | 21 | 8 | T-06-SD16150 |
| 16 | 175 | 4,5 | 32 | 21 | 8 | T-06-SD16175 |
| 16 | 200 | 4,5 | 32 | 21 | 8 | T-06-SD16200 |
| 16 | 225 | 4,5 | 32 | 21 | 8 | T-06-SD16225 |
| 16 | 250 | 4,5 | 32 | 21 | 8 | T-06-SD16250 |
| 16 | 275 | 4,5 | 32 | 21 | 8 | T-06-SD16275 |
| 16 | 300 | 4,5 | 32 | 21 | 8 | T-06-SD16300 |
| 16 | 350 | 4,5 | 32 | 21 | 8 | T-06-SD16350 |
| 16 | 400 | 4,5 | 32 | 21 | 8 | T-06-SD16400 |
| 16 | 525 | 4,5 | 32 | 21 | 8 | T-06-SD16525 |

| d ₁ | L ₂ | h ₁ | d ₂ | d ₃ | h ₂ | Index |
|----------------|----------------|----------------|----------------|----------------|----------------|--------------|
| 19 | 75 | 6 | 32 | 23 | 10 | T-06-SD19075 |
| 19 | 80 | 6 | 32 | 23 | 10 | T-06-SD19080 |
| 19 | 90 | 6 | 32 | 23 | 10 | T-06-SD19090 |
| 19 | 100 | 6 | 32 | 23 | 10 | T-06-SD19100 |
| 19 | 125 | 6 | 32 | 23 | 10 | T-06-SD19125 |
| 19 | 150 | 6 | 32 | 23 | 10 | T-06-SD19150 |
| 19 | 175 | 6 | 32 | 23 | 10 | T-06-SD19175 |
| 19 | 200 | 6 | 32 | 23 | 10 | T-06-SD19200 |
| 19 | 225 | 6 | 32 | 23 | 10 | T-06-SD19225 |
| 19 | 250 | 6 | 32 | 23 | 10 | T-06-SD19250 |
| 19 | 275 | 6 | 32 | 23 | 10 | T-06-SD19275 |
| 19 | 300 | 6 | 32 | 23 | 10 | T-06-SD19300 |
| 19 | 350 | 6 | 32 | 23 | 10 | T-06-SD19350 |
| 19 | 400 | 6 | 32 | 23 | 10 | T-06-SD19400 |
| 19 | 525 | 6 | 32 | 23 | 10 | T-06-SD19525 |
| 22 | 75 | 6 | 35 | 29 | 10 | T-06-SD22075 |
| 22 | 90 | 6 | 35 | 29 | 10 | T-06-SD22090 |
| 22 | 100 | 6 | 35 | 29 | 10 | T-06-SD22100 |
| 22 | 125 | 6 | 35 | 29 | 10 | T-06-SD22125 |
| 22 | 150 | 6 | 35 | 29 | 10 | T-06-SD22150 |
| 22 | 175 | 6 | 35 | 29 | 10 | T-06-SD22175 |
| 22 | 200 | 6 | 35 | 29 | 10 | T-06-SD22200 |
| 22 | 225 | 6 | 35 | 29 | 10 | T-06-SD22225 |
| 22 | 250 | 6 | 35 | 29 | 10 | T-06-SD22250 |
| 22 | 300 | 6 | 35 | 29 | 10 | T-06-SD22300 |
| 22 | 350 | 6 | 35 | 29 | 10 | T-06-SD22350 |
| 22 | 400 | 6 | 35 | 29 | 10 | T-06-SD22400 |
| 22 | 450 | 6 | 35 | 29 | 10 | T-06-SD22450 |
| 22 | 525 | 6 | 35 | 29 | 10 | T-06-SD22525 |
| 25* | 75 | 7 | 40 | 31 | 12 | T-06-SD25075 |
| 25 | 100 | 7 | 40 | 31 | 12 | T-06-SD25100 |
| 25 | 125 | 7 | 40 | 31 | 12 | T-06-SD25125 |
| 25 | 150 | 7 | 40 | 31 | 12 | T-06-SD25150 |
| 25 | 175 | 7 | 40 | 31 | 12 | T-06-SD25175 |
| 25 | 200 | 7 | 40 | 31 | 12 | T-06-SD25200 |
| 25 | 225 | 7 | 40 | 31 | 12 | T-06-SD25225 |
| 25 | 250 | 7 | 40 | 31 | 12 | T-06-SD25250 |
| 25 | 300 | 7 | 40 | 31 | 12 | T-06-SD25300 |
| 25 | 350 | 7 | 40 | 31 | 12 | T-06-SD25350 |
| 25 | 400 | 7 | 40 | 31 | 12 | T-06-SD25400 |
| 25 | 450 | 7 | 40 | 31 | 12 | T-06-SD25450 |
| 25 | 525 | 7 | 40 | 31 | 12 | T-06-SD25525 |

* during the approval process conducted by ITB

ADDITIONAL INFORMATION Other dimensions available on request.

OPEN CABLE HANGER



Material: copper covered steel,
stainless steel 1.4301

Use: the system of hangs usable during
the cable installation.

Availability: in stock

Logistic minimum: 50 pcs/package

MATERIAL: COPPER COVERED STEEL

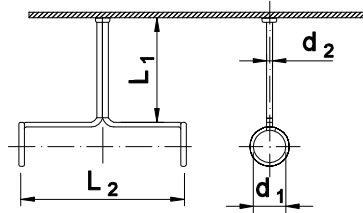
| Name | L ₁ | L ₂ | d ₁ | d ₂ | Index |
|-----------------------|----------------|----------------|----------------|----------------|----------|
| Open cable hanger 60 | 60 | 280 | 45 | 6 | T-07-001 |
| Open cable hanger 100 | 100 | 280 | 45 | 6 | T-07-002 |
| Open cable hanger 150 | 150 | 280 | 45 | 6 | T-07-003 |
| Open cable hanger 250 | 250 | 280 | 45 | 6 | T-07-004 |

MATERIAL: STAINLESS STEEL 1.4301

| Name | L ₁ | L ₂ | d ₁ | d ₂ | Index |
|-----------------------|----------------|----------------|----------------|----------------|----------|
| Open cable hanger 60 | 60 | 280 | 45 | 6 | T-07-005 |
| Open cable hanger 100 | 100 | 280 | 45 | 6 | T-07-006 |
| Open cable hanger 150 | 150 | 280 | 45 | 6 | T-07-007 |
| Open cable hanger 250 | 250 | 280 | 45 | 6 | T-07-008 |

ADDITIONAL INFORMATION Other dimensions and materials are available on request.

CLOSED CABLE HANGER



Material: copper covered steel,
stainless steel 1.4301

Use: the system of hangs usable during
the cable installation.

Availability: in stock

Logistic minimum: 50 pcs/package

MATERIAL: COPPER COVERED STEEL

| Name | L ₁ | L ₂ | d ₁ | d ₂ | Index |
|-------------------------|----------------|----------------|----------------|----------------|----------|
| Closed cable hanger 60 | 60 | 280 | 45 | 6 | T-07-009 |
| Closed cable hanger 100 | 100 | 280 | 45 | 6 | T-07-010 |
| Closed cable hanger 150 | 150 | 280 | 45 | 6 | T-07-011 |
| Closed cable hanger 250 | 250 | 280 | 45 | 6 | T-07-012 |

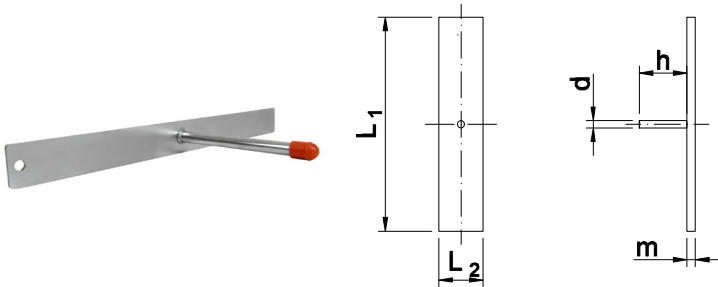
MATERIAL: STAINLESS STEEL 1.4301

| Name | L ₁ | L ₂ | d ₁ | d ₂ | Index |
|-------------------------|----------------|----------------|----------------|----------------|----------|
| Closed cable hanger 60 | 60 | 280 | 45 | 6 | T-07-013 |
| Closed cable hanger 100 | 100 | 280 | 45 | 6 | T-07-014 |
| Closed cable hanger 150 | 150 | 280 | 45 | 6 | T-07-015 |
| Closed cable hanger 250 | 250 | 280 | 45 | 6 | T-07-016 |

ADDITIONAL INFORMATION

Other dimensions and materials are available on request.

FLAT BAR CABLE HANGER



Material: galvanized steel

Use: the system of hangs usable during the cable installation.

Availability: in stock

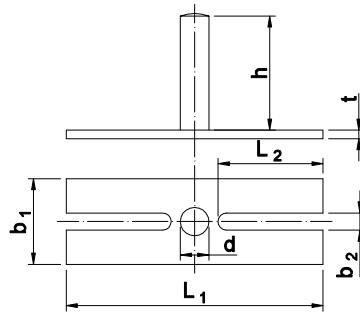
Logistic minimum: 100 pcs/package

MATERIAL: GALVANIZED STEEL

| Name | L ₁ | L ₂ | d | h | m | Index |
|----------------------------|----------------|----------------|----|-----|---|----------|
| Flat bar hanger 320x30x40 | 320 | 30 | 10 | 40 | 3 | T-07-021 |
| Flat bar hanger 320x30x120 | 320 | 30 | 10 | 120 | 3 | T-07-022 |
| Flat bar hanger 320x50x40 | 320 | 50 | 10 | 40 | 3 | T-07-023 |
| Flat bar hanger 320x50x120 | 320 | 50 | 10 | 120 | 3 | T-07-024 |

ADDITIONAL INFORMATION Other dimensions and materials are available on request.

CABLE HANGER TYPE H



Material: galvanized steel

Use: slings system welded on both sides, used during cabling assembly.

Availability: on request

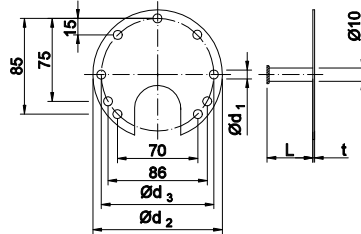
MATERIAL: GALVANIZED STEEL

| Name | b_1 | b_2 | d | h | L_1 | L_2 | t | Index |
|------------------------|-------|-------|-----|-----|-------|-------|-----|----------|
| Cable hanger type h90 | 30 | 6 | 10 | 40 | 90 | 37 | 3 | T-07-025 |
| Cable hanger type h120 | 30 | 6 | 10 | 40 | 110 | 47 | 3 | T-07-026 |

ADDITIONAL INFORMATION

Other dimensions and materials are available on request.

ROUND SUPPORT



Material: galvanized steel

Use: welded bracket, used for fixing electrical equipment on ships. Support fitting for electrical equipment

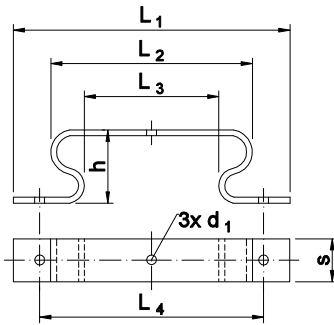
Availability: on request

MATERIAL: GALVANIZED STEEL

| Name | d_1 | d_2 | d_3 | L | t | Index |
|-------------------|-------|-------|-------|-----|---|---------|
| Round support 40 | 7,5 | 115 | 100 | 40 | 3 | T-07-30 |
| Round support 120 | 7,5 | 115 | 100 | 120 | 3 | T-07-31 |

ADDITIONAL INFORMATION Other dimensions and materials are available on request.

OMEGA CONNECTOR



Material: galvanized steel, stainless steel 1.4301

Use: the distance between the plates, mounted e.g. on tanks, boilers in the marine industry,

Availability: in stock

Logistic minimum: 400 pcs/package

MATERIAL: GALVANIZED STEEL

| Name | L_1 | L_2 | L_3 | L_4 | s | d_1 | h | Index |
|-----------------|-------|-------|-------|-------|----|-------|----|----------------|
| Omega Connector | 150 | 105 | 65 | 120 | 30 | 5,3 | 40 | T-08-001-12030 |

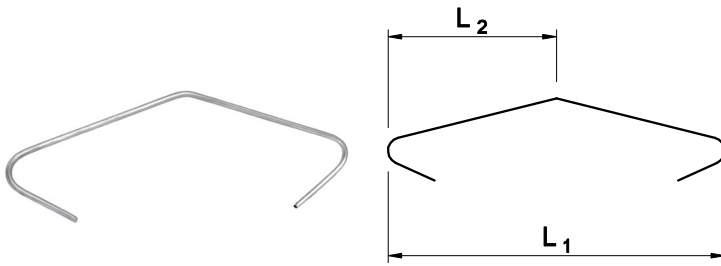
MATERIAL: STAINLESS STEEL 1.4301

| Name | L_1 | L_2 | L_3 | L_4 | s | d_1 | h | Index |
|-----------------|-------|-------|-------|-------|----|-------|----|----------------|
| Omega Connector | 150 | 105 | 65 | 120 | 30 | 5,3 | 40 | T-08-002-12030 |

ADDITIONAL INFORMATION

Other dimensions and materials are available on request.

TERMIKA WOOL HOOKS



Material: galvanized steel

Use: connection of the insulation mats to eliminate the thermal bridge and reducing heat loss as well as securing the formwork sheet metal against excessive heating up.

Availability: in stock

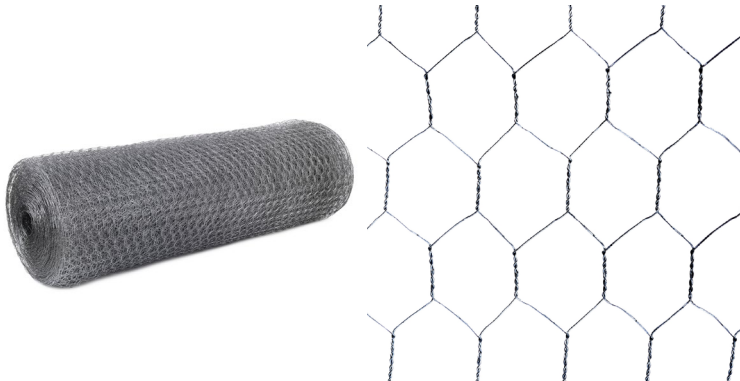
Minimum logistyczne: 400 pcs/package

MATERIAL: GALVANIZED STEEL

| Name | L ₁ | L ₂ | ø | Index |
|--------------------|----------------|----------------|---|----------|
| Termika wool hooks | 115 | 60 | 2 | T-08-003 |

ADDITIONAL INFORMATION Other dimensions and materials are available on request.
100pcs in package.

ISOLA WIRE MESH



Material: galvanized steel

Use: Isola mesh has a versatile application. Among other things, it is used in the construction as reinforcement for lime cement and gypsum renders and insulation. It is also used as a fence for small animals. It works as a protection against pests for gardeners and farmers as well as against predators in bird breeding. It can also be used as a cover for trees and shrubs and as a support for climbers.

Availability: in stock

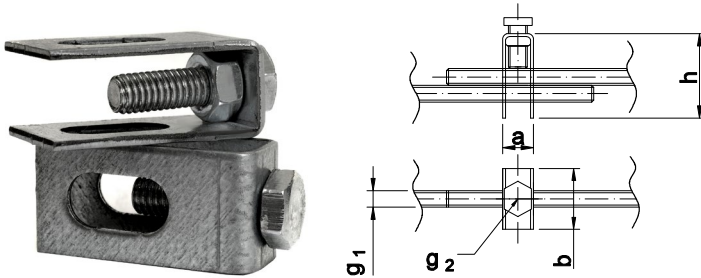
PRODUCT CHARACTERISTICS

| | |
|------------------|----------------------------|
| Hexagonal mesh | 25x25mm |
| Wire thickness | 0,6mm or 0,66mm +/- 0,01mm |
| Roll width | 1000mm |
| Roll length | 50-3000m |
| Tensile strength | 35-45kg/mm ² |
| Zinc coating | 15-40g/m ² |

ADDITIONAL INFORMATION

Packing: roll - 50-3000 m².

THREADED ROD CONNECTOR



Material: galvanized steel

Application: a connector designed to connect two threaded rods of the same diameter.

Characteristics: adjustable connection, detachable connection, quick assembly, high durability

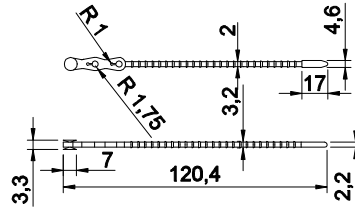
Availability: on request

MATERIAL: GALVANIZED STEEL

| Name | a | b | g_1 | g_2 | h | Index |
|---------------|----|----|-------|-------|----|----------|
| Connector m6 | 14 | 17 | M6 | M6 | 33 | T-08-006 |
| Connector m8 | 14 | 17 | M8 | M6 | 33 | T-08-008 |
| Connector m10 | 14 | 17 | M10 | M6 | 33 | T-08-010 |
| Connector m12 | 23 | 23 | M12 | M10 | 48 | T-08-012 |

ADDITIONAL INFORMATION Other dimensions and materials are available on request.

BALL BAND



Material: polyethylene

Use: reusable headband. used in places requiring the cable harness to be re-shorted, double harness, label hanging, attachment of nameplates, etc.

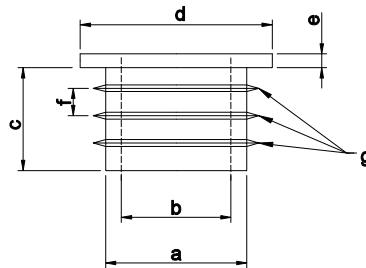
Characteristics: available colors: colorless, blue, red, white; disconnected connection

Availability: on request

MATERIAL: POLYETHYLENE

| Name | Length (mm) | Width (mm) | Index |
|-----------|-------------|------------|----------|
| Ball band | 120 | 3,5 | T-09-001 |

PIPE BLANK COVER



Material: polyethylene

Application: in the furniture industry, machinery and construction industries. they are used in steel profile constructions, fence systems, furniture.

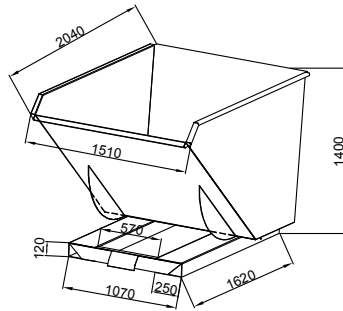
Characteristics: available in colours: colourless, blue, red, white

Availability: on request

MATERIAL: POLYETHYLENE

| Name | c mm | a mm | b mm | h mm | d mm | e mm | f mm | g pc. | Index |
|------|------|------|------|------|------|------|------|-------|----------|
| c-8 | 8 | 5 | - | 9,5 | 13 | 2 | 3,5 | 2 | t-09-008 |
| c-10 | 10 | 7 | 5 | 9,5 | 15 | 2 | 3,5 | 2 | t-09-010 |
| c-13 | 13 | 10 | 8 | 12 | 18 | 2 | 3,5 | 2 | t-09-013 |
| c-15 | 15 | 12 | 10 | 13 | 20 | 2 | 3,3 | 3 | t-09-015 |
| c-17 | 17 | 14 | 12 | 13 | 22 | 2 | 3,8 | 3 | t-09-017 |
| c-18 | 18 | 15 | 12,8 | 13 | 23 | 2 | 3,8 | 3 | t-09-018 |
| c-20 | 20 | 17 | 15 | 12,5 | 22,5 | 4,6 | 3,8 | 3 | t-09-020 |
| c-22 | 22 | 19 | 16 | 15 | 28 | 2 | 4 | 3 | t-09-022 |
| c-24 | 24 | 21 | 17,5 | 15 | 30 | 2 | 4,2 | 3 | t-09-024 |
| c-25 | 25 | 22 | 18,5 | 15 | 31 | 2 | 4,2 | 3 | t-09-025 |
| c-26 | 26 | 23,5 | 19,5 | 15 | 32 | 2 | 4,2 | 3 | t-09-026 |
| c-28 | 28 | 25 | 21,5 | 15 | 34 | 2 | 4,5 | 3 | t-09-028 |
| c-30 | 30 | 27 | 24 | 15 | 36 | 2 | 4,5 | 3 | t-09-030 |
| c-32 | 32 | 28,5 | 24,5 | 15 | 38 | 2 | 4,5 | 3 | t-09-032 |
| c-34 | 34 | 30,5 | 27,5 | 18,5 | 40 | 2 | 4,5 | 4 | t-09-034 |
| c-36 | 36 | 33 | 29,5 | 19 | 42 | 2 | 4,5 | 4 | t-09-036 |
| c-45 | 45 | 37,5 | 30,5 | 17 | 48,5 | 2 | 4,7 | 3 | t-09-045 |
| c-50 | 50 | 45,5 | 42 | 18 | 54,5 | 3 | 4 | 4 | t-09-050 |
| c-80 | 80 | 72,5 | 68 | 16,5 | 85,5 | 3 | 5,5 | 3 | t-09-080 |

SELF-UNLOADING CONTAINER TERMIKA K-250 STANDARD

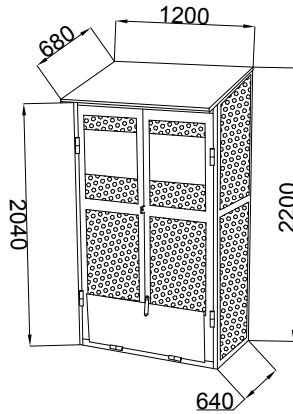


Description and application: steel self-unloading container adapted for forklift trucks. The container is dedicated for storage and transport of: waste, scrap, sand, debris, etc. It is protected with anti-corrosion paint and painted in accordance with the RAL colour palette. On request, it is possible to manufacture containers with other dimensions.

TECHNICAL DATA

| | |
|-----------------|-------------|
| Material | steel |
| Capacity | 2000 litres |
| Weight | 400 kg |
| Load capacity | 1800 kg |
| Sheet thickness | 4 mm |

STORAGE CABINET TECHNICAL GAS CYLINDERS SB-1000 STANDARD

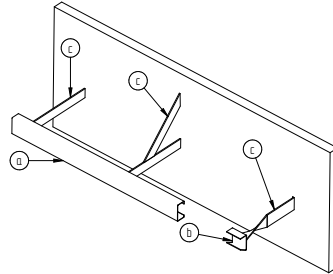
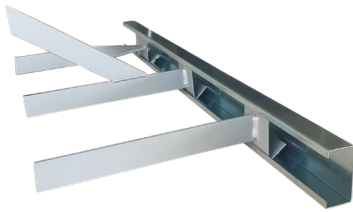


Description and application: Cabinet with a solid and durable structure for storing technical gas cylinders. It is made of full and perforated sheet metal. The front cage is closed with double doors with built-in protection against unauthorized opening. This cabinet can accommodate 8 gas cylinders (two rows of 4 cylinders each with protection against uncontrolled movement). The cabinet is equipped with a special lowered ramp on which the cylinders will be easily rolled on. The cabinet floor and the ramp are made of checker plate. The whole is spray painted in colours from the RAL palette.

TECHNICAL DATA

| | |
|----------|--|
| Height | 2200mm |
| Width | 1190mm |
| Depth | 640mm |
| Material | steel sheet, 2mm thick. The cage structure is made of a closed steel profile 50x30x2 and 20x30x2 |

TERMIKA INSULATION STEEL PLATE CONSTRUCTION'S BRACKET T-CLICK



Material: black steel, galvanized steel

Use: a unique method of constructing a support structure for insulation of i.e. boiler walls, filters, ducts, etc, patented by Termika.

PRODUCT CHARACTERISTICS

Termika T-Click – the covering steel plate's construction bracket consists of the following elements:

Support rail (a) 3m long; 1mm thick C-Profile made of a galvanized steel.

Head (b)

Made of steel (S235) with a thickness of 1.5 mm, of which the external dimensions allow for precise fitting into the support rail (a). The head (b) is to be welded to the spacer (c). The support rail is then to be connected to the head by placing the top edge of it on the top edge of the head first and then clamping it (clicking) down to the bottom edge of the head using muscle force. The support rail locks on the head and prevents it from being pulled back out.

Spacer (c)

A flat bar, of which length can vary depending on the designed insulation thickness.

The number, the assembly method and the arrangement of all the elements of the supporting structure on the insulated object should be based on a previously prepared design. All elements of the system are prefabricated in our production plant on beforehand. A 3-meter-long support rail is to be pressed (clicked) into the three spacers assembled in the row. The vertical distance between the rails should not be more than 2 meters. A 2x4 meters dimension steel cover sheet is to be screwed to the supporting structure.

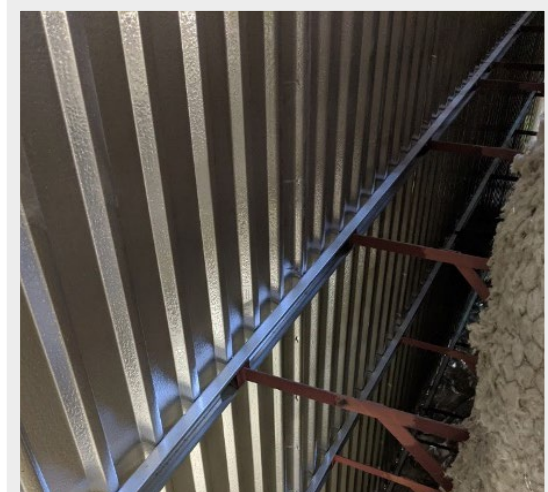
BENEFITS

Considerable production time saving, shortening each stage of the assembling process

Considerably less welding on the production due to prefabrication process at Termika's production site

Assemble-friendly – support rail just clicks into the head using a muscle force

Significant reduction of post-assembly waste



SERVICES

The scope of our company's activity includes sales of materials for the marine industry, land industry, offshore, construction as well as services in the field of:

| | |
|---------------------------------------|-------------------------------------|
| projects | supervision |
| technical documentation | quality control |
| overseeing the built | warranty and post-warranty services |
| workmanship and delivery of materials | |

We conduct retail and wholesale trade of thermal insulation materials and specialized construction chemicals. We are one of the most important trade partners in this area in northern Poland.

RANGE OF DISTRIBUTION OF GOODS

Our customers:



Polish, European
and world shipyards



Insulation companies
in Poland and Europe



The largest construction
companies in Poland



Manufacturers of air conditioning
and ventilation



Stores and construction
wholesale



Companies from road and
bridge construction industry



Companies from
automotive industry



Companies from
defense industry



Companies from
the railway industry



Companies from
the food industry

DISTRIBUTION

Our largest suppliers are:

Marine, technical, HVAC and Building insulation



Building chemistry



Rubber and polyethylene insulation



DISTRIBUTION

High-temperature insulation



Tapes, adhesives, mastics



Linings for storage and transport tanks



All data placed in our product catalogues has information purpose only. We reserve the right to make changes at any time and without prior notice in relation to the information provided on these pages.

Technical parameters are based on average values, as a result of reliable measurements made according to the relevant norms by the producer. Which does not release the user from carrying out the trials and tests appropriate for a particular application. Information concerning the preparation and application are only guidelines and suggestions for the user. They cannot be regarded as binding, because the conditions in which the product will be used are completely beyond our control. We are not responsible for any damages or losses, including in relation to third parties.

Product dimensions are given in mm, unless otherwise specified.

The availability of our products is marked as: na stanie magazynowym (in stock) lub On request (product to order)

The term of realization the order is confirmed by Sales Department. The index and logistic minimum should be given when placing an order.

Termika V2/08/2020.



TERMIKA[®]
INSULATION TECHNIQUE

ADDRESS Termika Sp. z o.o.
ul. Narwicka 8
PL 80-557 Gdańsk

CONTACT tel. +48 58 35 09 500
fax. +48 58 35 09 501
termika@termika.eu
www.termika.eu